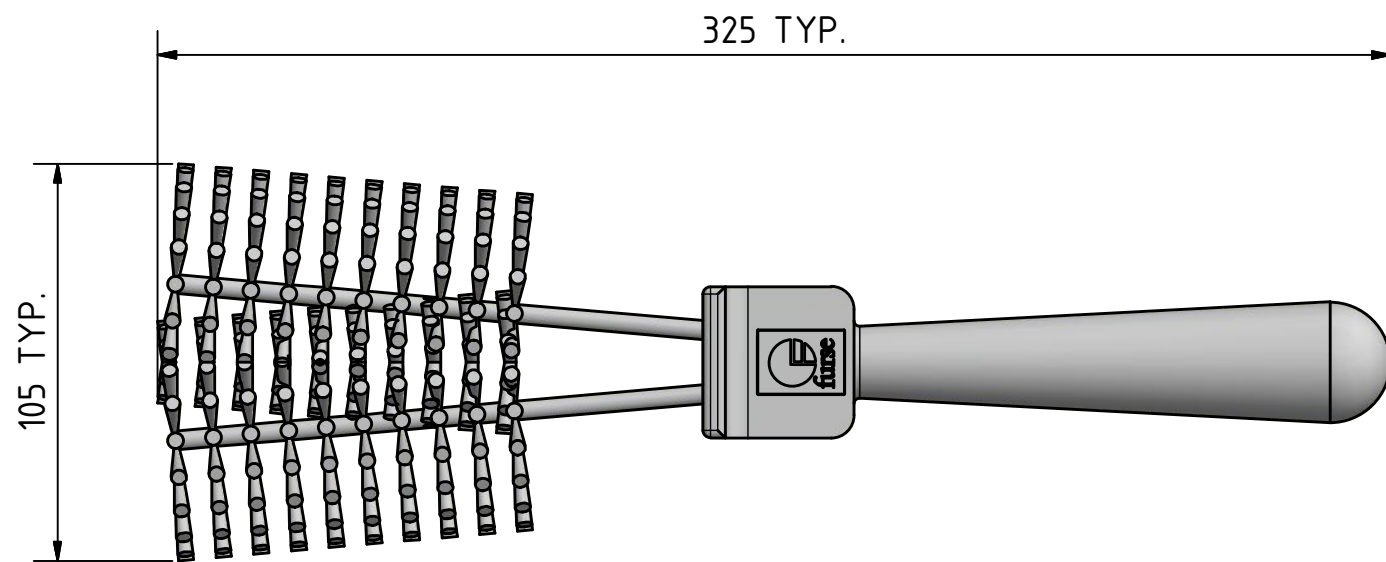
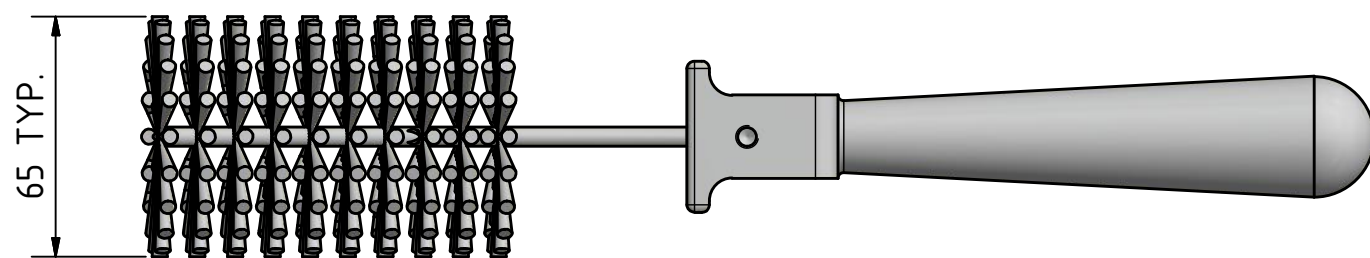


This drawing and the information contained herein is the property of ABB Ltd. and shall not be copied, traced, photographed or reproduced in any manner nor used for any purpose whatsoever, except by written permission of ABB Ltd. This drawing shall be returned to ABB Ltd. upon request. Copyright 2015, ABB Ltd. All rights reserved.

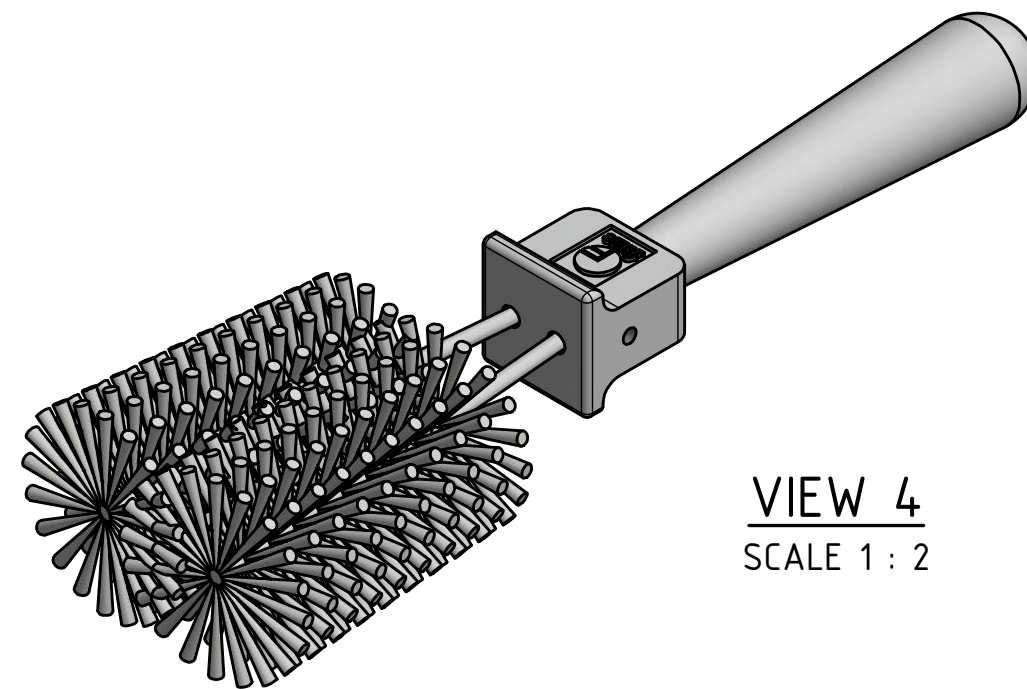
WEIGHT 0.37 kg



VIEW 1
SCALE 1 : 2



VIEW 2
SCALE 1 : 2



VIEW 4
SCALE 1 : 2

furse Earthing & Lightning Protection

GID NO.: 7TCA083930R0000

PART NO.: B135

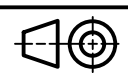
THIS DRAWING IS PROVIDED FOR ILLUSTRATION PURPOSES ONLY. MANUFACTURED PARTS MAY DIFFER FROM INFORMATION INDICATED ON THIS DRAWING.

ISSUED FOR: INFORMATION
PRODUCT LINE: FURSE E & LP.
MATERIAL: ALUMINIUM & STEEL.

ABB Ltd.
Wilford Road, Nottingham,
NG2 1EB United Kingdom



FIRST ANGLE PROJECTION



FINISH: SELF COLOUR

TITLE:
**FURSEWELD CABLE
CLEANING BRUSH
(WIRE BRISTLE).**

- 1. DO NOT SCALE
- 2. ALL DIMENSIONS SHOWN ARE BEFORE STATED FINISH.
- 3. REMOVE ALL BURRS AND SHARP EDGES.

ORIGINAL	DATE	NAME
DRAWN	09/05/2018	A. MERRILL
CHECK'D	10/05/2018	J. MATTHEWS
APPR'D	10/05/2018	A. MERRILL

DRAWING NUMBER: B135 CD 01 REV: 0

FILE: W:\Technical\5. Furseweld Documents\Controlled Documents\1. Production\Furseweld UK\hardware\B135\B135_CD_01_0.dwg SHEET 1 OF 1

CAD (INVENTOR) GENERATED DRAWING DO NOT CHANGE MANUALLY SHEET REF: QADC4_A3 Rev 6.1 SIZE: A3