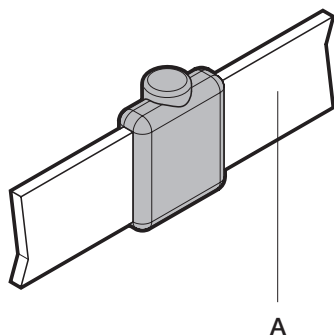


# FurseWELD

## Bar to bar BB1



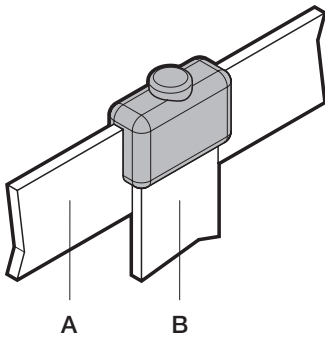
### Bar to bar BB1 - FurseWELD

| Flat tape conductor size A (mm) | Part no.         |                |              |            |                   |
|---------------------------------|------------------|----------------|--------------|------------|-------------------|
|                                 | Powder cartridge | Standard mould | Handle clamp | Mini mould | Mini handle clamp |
| 20 x 3                          | 45P10            | BB1-4-203      | HCPK4        | BB1-3-203  | HCPK3             |
| 25 x 3                          | 65P10            | BB1-4-253      | HCPK4        | BB1-3-253  | HCPK3             |
| 25 x 4                          | 90P10            | BB1-4-254      | HCPK4        | BB1-3-254  | HCPK3             |
| 25 x 6                          | 150P10           | BB1-4-256      | HCPK4        | -          | -                 |
| 30 x 2                          | 65P10            | BB1-4-302      | HCPK4        | BB1-3-302  | HCPK3             |
| 30 x 3                          | 90P10            | BB1-4-303      | HCPK4        | BB1-3-303  | HCPK3             |
| 30 x 4                          | 115P10           | BB1-4-304      | HCPK4        | BB1-3-304  | HCPK3             |
| 30 x 5                          | 115P10           | BB1-4-305      | HCPK4        | BB1-3-305  | HCPK3             |
| 31 x 3                          | 90P10            | BB1-4-313      | HCPK4        | BB1-3-313  | HCPK3             |
| 31 x 6                          | 150P10           | BB1-4-316      | HCPK4        | -          | -                 |
| 38 x 3                          | 115P10           | BB1-4-383      | HCPK4        | -          | -                 |
| 38 x 5                          | 150P10           | BB1-4-385      | HCPK4        | -          | -                 |
| 38 x 6                          | 200P10           | BB1-4-386      | HCPK4        | -          | -                 |
| 40 x 3                          | 115P10           | BB1-4-403      | HCPK4        | -          | -                 |
| 40 x 4                          | 150P10           | BB1-4-404      | HCPK4        | -          | -                 |
| 40 x 5                          | 150P10           | BB1-4-405      | HCPK4        | -          | -                 |
| 40 x 6                          | 200P10           | BB1-4-406      | HCPK4        | -          | -                 |
| 50 x 3                          | 150P10           | BB1-4-503      | HCPK4        | -          | -                 |
| 50 x 4                          | 200P10           | BB1-4-504      | HCPK4        | -          | -                 |
| 50 x 5                          | 200P10           | BB1-4-505      | HCPK4        | -          | -                 |
| 50 x 6                          | 250P10           | BB1-4-506      | HCPK4        | -          | -                 |

Special moulds for all FurseWELD products can be manufactured to meet specific customer applications on request

# FurseWELD

## Bar to bar BB3



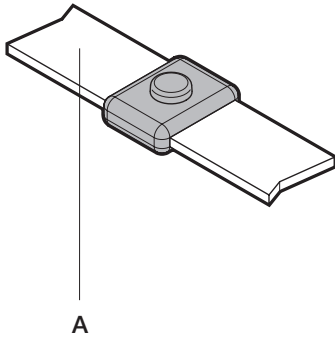
### Bar to bar BB3 - FurseWELD

| Flat tape conductor size A (mm) | Flat tape conductor size B (mm) | Part no.         |                |              |              |                   |
|---------------------------------|---------------------------------|------------------|----------------|--------------|--------------|-------------------|
|                                 |                                 | Powder cartridge | Standard mould | Handle clamp | Mini mould   | Mini handle clamp |
| 20 x 3                          | 20 x 3                          | 65P10            | BB3-4-203203   | HCPK4        | BB3-3-203203 | HCPK3             |
| 25 x 3                          | 25 x 3                          | 65P10            | BB3-4-253253   | HCPK4        | BB3-3-253253 | HCPK3             |
| 25 x 4                          | 25 x 4                          | 90P10            | BB3-4-254254   | HCPK4        | BB3-3-254254 | HCPK3             |
| 25 x 6                          | 25 x 6                          | 150P10           | BB3-4-256256   | HCPK4        | –            | –                 |
| 30 x 2                          | 30 x 2                          | 65P10            | BB3-4-302302   | HCPK4        | BB3-3-302302 | HCPK3             |
| 30 x 3                          | 30 x 3                          | 90P10            | BB3-4-303303   | HCPK4        | BB3-3-303303 | HCPK3             |
| 30 x 4                          | 30 x 4                          | 115P10           | BB3-4-304304   | HCPK4        | BB3-3-304304 | HCPK3             |
| 30 x 5                          | 30 x 5                          | 115P10           | BB3-4-305305   | HCPK4        | BB3-3-305305 | HCPK3             |
| 31 x 3                          | 31 x 3                          | 115P10           | BB3-4-313313   | HCPK4        | BB3-3-313313 | HCPK3             |
| 31 x 6                          | 31 x 6                          | 200P10           | BB3-4-316316   | HCPK4        | –            | –                 |
| 38 x 3                          | 38 x 3                          | 115P10           | BB3-4-383383   | HCPK4        | –            | –                 |
| 38 x 5                          | 38 x 5                          | 150P10           | BB3-4-385385   | HCPK4        | –            | –                 |
| 38 x 6                          | 38 x 6                          | 200P10           | BB3-4-386386   | HCPK4        | –            | –                 |
| 40 x 3                          | 40 x 3                          | 115P10           | BB3-4-403403   | HCPK4        | –            | –                 |
| 40 x 4                          | 40 x 4                          | 150P10           | BB3-4-404404   | HCPK4        | –            | –                 |
| 40 x 5                          | 40 x 5                          | 150P10           | BB3-4-405405   | HCPK4        | –            | –                 |
| 40 x 6                          | 40 x 6                          | 200P10           | BB3-4-406406   | HCPK4        | –            | –                 |
| 50 x 3                          | 50 x 3                          | 200P10           | BB3-4-503503   | HCPK4        | –            | –                 |
| 50 x 4                          | 50 x 4                          | 200P10           | BB3-4-504504   | HCPK4        | –            | –                 |
| 50 x 5                          | 50 x 5                          | 200P10           | BB3-4-505505   | HCPK4        | –            | –                 |
| 50 x 6                          | 50 x 6                          | 250P10           | BB3-4-506506   | HCPK4        | –            | –                 |

Special moulds for all FurseWELD products can be manufactured to meet specific customer applications on request

# FurseWELD

## Bar to bar BB7



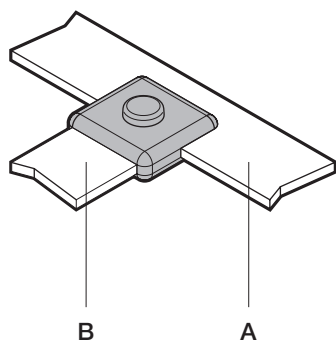
### Bar to bar BB7 - FurseWELD

| Flat tape conductor size A (mm) | Part no.         |                |              |            |                   |
|---------------------------------|------------------|----------------|--------------|------------|-------------------|
|                                 | Powder cartridge | Standard mould | Handle clamp | Mini mould | Mini handle clamp |
| 20 x 3                          | 45P10            | BB7-4-203      | HCPK4        | BB7-3-203  | HCPK3             |
| 25 x 3                          | 65P10            | BB7-4-253      | HCPK4        | BB7-3-253  | HCPK3             |
| 25 x 4                          | 90P10            | BB7-4-254      | HCPK4        | BB7-3-254  | HCPK3             |
| 25 x 6                          | 115P10           | BB7-4-256      | HCPK4        | BB7-3-256  | HCPK3             |
| 30 x 2                          | 65P10            | BB7-4-302      | HCPK4        | BB7-3-302  | HCPK3             |
| 30 x 3                          | 65P10            | BB7-4-303      | HCPK4        | BB7-3-303  | HCPK3             |
| 30 x 4                          | 90P10            | BB7-4-304      | HCPK4        | BB7-3-304  | HCPK3             |
| 30 x 5                          | 115P10           | BB7-4-305      | HCPK4        | BB7-3-305  | HCPK3             |
| 31 x 3                          | 65P10            | BB7-4-313      | HCPK4        | BB7-3-313  | HCPK3             |
| 31 x 6                          | 150P10           | BB7-4-316      | HCPK4        | –          | –                 |
| 38 x 3                          | 90P10            | BB7-4-383      | HCPK4        | –          | –                 |
| 38 x 5                          | 150P10           | BB7-4-385      | HCPK4        | –          | –                 |
| 38 x 6                          | 200P10           | BB7-4-386      | HCPK4        | –          | –                 |
| 40 x 3                          | 90P10            | BB7-4-403      | HCPK4        | –          | –                 |
| 40 x 4                          | 115P10           | BB7-4-404      | HCPK4        | –          | –                 |
| 40 x 5                          | 150P10           | BB7-4-405      | HCPK4        | –          | –                 |
| 40 x 6                          | 200P10           | BB7-4-406      | HCPK4        | –          | –                 |
| 50 x 3                          | 150P10           | BB7-5-503      | HCPK5        | –          | –                 |
| 50 x 4                          | 200P10           | BB7-5-504      | HCPK5        | –          | –                 |
| 50 x 5                          | 200P10           | BB7-5-505      | HCPK5        | –          | –                 |
| 50 x 6                          | 250P10           | BB7-5-506      | HCPK5        | –          | –                 |

Special moulds for all FurseWELD products can be manufactured to meet specific customer applications on request

# FurseWELD

## Bar to bar BB14



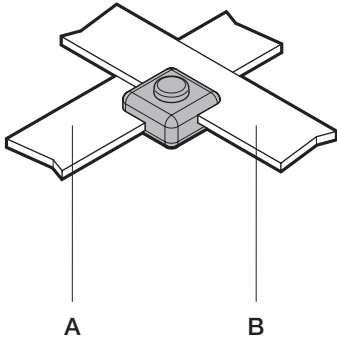
Bar to bar BB14 - FurseWELD

| Flat tape conductor size A (mm) | Flat tape conductor size B (mm) | Part no.         |                |              |                 |              |
|---------------------------------|---------------------------------|------------------|----------------|--------------|-----------------|--------------|
|                                 |                                 | Powder cartridge | Standard mould | Handle clamp | Mini mini mould | Handle clamp |
| 20 x 3                          | 20 x 3                          | 45P10            | BB14-4-203203  | HCPK4        | BB14-3-203203   | HCPK3        |
| 25 x 3                          | 25 x 3                          | 65P10            | BB14-4-253253  | HCPK4        | BB14-3-253253   | HCPK3        |
| 25 x 4                          | 25 x 4                          | 90P10            | BB14-4-254254  | HCPK4        | BB14-3-254254   | HCPK3        |
| 25 x 6                          | 25 x 6                          | 115P10           | BB14-4-256256  | HCPK4        | BB14-3-256256   | HCPK3        |
| 30 x 2                          | 30 x 2                          | 65P10            | BB14-4-302302  | HCPK4        | BB14-3-302302   | HCPK3        |
| 30 x 3                          | 30 x 3                          | 65P10            | BB14-4-303303  | HCPK4        | BB14-3-303303   | HCPK3        |
| 30 x 4                          | 30 x 4                          | 90P10            | BB14-4-304304  | HCPK4        | BB14-3-304304   | HCPK3        |
| 30 x 5                          | 30 x 5                          | 115P10           | BB14-4-305305  | HCPK4        | BB14-3-305305   | HCPK3        |
| 31 x 3                          | 31 x 3                          | 90P10            | BB14-4-313313  | HCPK4        | BB14-3-313313   | HCPK3        |
| 31 x 6                          | 31 x 6                          | 150P10           | BB14-4-316316  | HCPK4        | —               | —            |
| 38 x 3                          | 38 x 3                          | 90P10            | BB14-4-383383  | HCPK4        | —               | —            |
| 38 x 5                          | 38 x 5                          | 150P10           | BB14-4-385385  | HCPK4        | —               | —            |
| 38 x 6                          | 38 x 6                          | 200P10           | BB14-4-386386  | HCPK4        | —               | —            |
| 40 x 3                          | 40 x 3                          | 90P10            | BB14-4-403403  | HCPK4        | —               | —            |
| 40 x 4                          | 40 x 4                          | 115P10           | BB14-4-404404  | HCPK4        | —               | —            |
| 40 x 5                          | 40 x 5                          | 150P10           | BB14-4-405405  | HCPK4        | —               | —            |
| 40 x 6                          | 40 x 6                          | 200P10           | BB14-4-406406  | HCPK4        | —               | —            |
| 50 x 3                          | 50 x 3                          | 150P10           | BB14-5-503503  | HCPK5        | —               | —            |
| 50 x 4                          | 50 x 4                          | 200P10           | BB14-5-504504  | HCPK5        | —               | —            |
| 50 x 5                          | 50 x 5                          | 200P10           | BB14-5-505505  | HCPK5        | —               | —            |
| 50 x 6                          | 50 x 6                          | 250P10           | BB14-5-506506  | HCPK5        | —               | —            |

Special moulds for all FurseWELD products can be manufactured to meet specific customer applications on request

# FurseWELD

## Bar to bar BB41



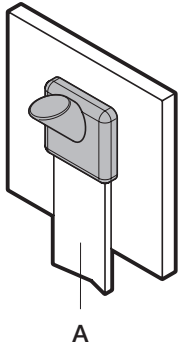
Bar to bar BB41 - FurseWELD

| Flat tape conductor size A (mm) | Flat tape conductor size B (mm) | Part no.         |                |              |               |                   |
|---------------------------------|---------------------------------|------------------|----------------|--------------|---------------|-------------------|
|                                 |                                 | Powder cartridge | Standard mould | Handle clamp | Mini mould    | Mini handle clamp |
| 20 x 3                          | 20 x 3                          | 65P10            | BB41-4-203203  | HCPK4        | BB41-3-203203 | HCPK3             |
| 25 x 3                          | 25 x 3                          | 65P10            | BB41-4-253253  | HCPK4        | BB41-3-253253 | HCPK3             |
| 25 x 4                          | 25 x 4                          | 90P10            | BB41-4-254254  | HCPK4        | BB41-3-254254 | HCPK3             |
| 25 x 6                          | 25 x 6                          | 115P10           | BB41-4-256256  | HCPK4        | BB41-3-256256 | HCPK3             |
| 30 x 2                          | 30 x 2                          | 65P10            | BB41-4-302302  | HCPK4        | BB41-3-302302 | HCPK3             |
| 30 x 3                          | 30 x 3                          | 115P10           | BB41-4-303303  | HCPK4        | BB41-3-303303 | HCPK3             |
| 30 x 4                          | 30 x 4                          | 115P10           | BB41-4-304304  | HCPK4        | BB41-3-304304 | HCPK3             |
| 30 x 5                          | 30 x 5                          | 115P10           | BB41-4-305305  | HCPK4        | BB41-3-305305 | HCPK3             |
| 31 x 3                          | 31 x 3                          | 115P10           | BB41-4-313313  | HCPK4        | BB41-3-313313 | HCPK3             |
| 31 x 6                          | 31 x 6                          | 115P10           | BB41-4-316316  | HCPK4        | BB41-3-316316 | HCPK3             |
| 38 x 3                          | 38 x 3                          | 150P10           | BB41-4-383383  | HCPK4        | —             | —                 |
| 38 x 5                          | 38 x 5                          | 150P10           | BB41-4-385385  | HCPK4        | —             | —                 |
| 38 x 6                          | 38 x 6                          | 200P10           | BB41-4-386386  | HCPK4        | —             | —                 |
| 40 x 3                          | 40 x 3                          | 200P10           | BB41-4-403403  | HCPK4        | —             | —                 |
| 40 x 4                          | 40 x 4                          | 200P10           | BB41-4-404404  | HCPK4        | —             | —                 |
| 40 x 5                          | 40 x 5                          | 200P10           | BB41-4-405405  | HCPK4        | —             | —                 |
| 40 x 6                          | 40 x 6                          | 200P10           | BB41-4-406406  | HCPK4        | —             | —                 |
| 50 x 3                          | 50 x 3                          | 200P10           | BB41-5-503503  | HCPK5        | —             | —                 |
| 50 x 4                          | 50 x 4                          | 200P10           | BB41-5-504504  | HCPK5        | —             | —                 |
| 50 x 5                          | 50 x 5                          | 200P10           | BB41-5-505505  | HCPK5        | —             | —                 |
| 50 x 6                          | 50 x 6                          | 200P10           | BB41-5-506506  | HCPK5        | —             | —                 |

Special moulds for all FurseWELD products can be manufactured to meet specific customer applications on request

# FurseWELD

## Bar to steel surface BS1



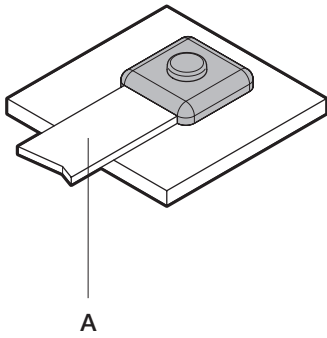
### Bar to steel surface BS1 - FurseWELD

| Flat Tape conductor size A (mm) | Part no.         |                |              |            |                   |
|---------------------------------|------------------|----------------|--------------|------------|-------------------|
|                                 | Powder cartridge | Standard mould | Handle clamp | Mini mould | Mini handle clamp |
| 20 x 3                          | 65P10            | BS1-4-203      | HCPK4        | BS1-3-203  | HCPK3             |
| 25 x 3                          | 90P10            | BS1-4-253      | HCPK4        | BS1-3-253  | HCPK3             |
| 25 x 4                          | 90P10            | BS1-4-254      | HCPK4        | BS1-3-254  | HCPK3             |
| 25 x 6                          | 150P10           | BS1-4-256      | HCPK4        | –          | –                 |
| 30 x 2                          | 90P10            | BS1-4-302      | HCPK4        | BS1-3-302  | HCPK3             |
| 30 x 3                          | 90P10            | BS1-4-303      | HCPK4        | BS1-3-303  | HCPK3             |
| 30 x 4                          | 115P10           | BS1-4-304      | HCPK4        | BS1-3-304  | HCPK3             |
| 30 x 5                          | 150P10           | BS1-4-305      | HCPK4        | –          | –                 |
| 31 x 3                          | 90P10            | BS1-4-313      | HCPK4        | BS1-3-313  | HCPK3             |
| 31 x 6                          | 200P10           | BS1-4-316      | HCPK4        | –          | –                 |
| 38 x 3                          | 150P10           | BS1-4-383      | HCPK4        | –          | –                 |
| 38 x 5                          | 200P10           | BS1-4-385      | HCPK4        | –          | –                 |
| 38 x 6                          | 250P10           | BS1-4-386      | HCPK4        | –          | –                 |
| 40 x 3                          | 150P10           | BS1-4-403      | HCPK4        | –          | –                 |
| 40 x 4                          | 200P10           | BS1-4-404      | HCPK4        | –          | –                 |
| 40 x 5                          | 200P10           | BS1-4-405      | HCPK4        | –          | –                 |
| 40 x 6                          | 250P10           | BS1-4-406      | HCPK4        | –          | –                 |
| 50 x 3                          | 200P10           | BS1-4-503      | HCPK4        | –          | –                 |
| 50 x 4                          | 250P10           | BS1-4-504      | HCPK4        | –          | –                 |
| 50 x 5                          | 250P10           | BS1-4-505      | HCPK4        | –          | –                 |
| 50 x 6                          | 2 x 150P10       | BS1-5-506      | HCPK5        | –          | –                 |

Special moulds for all FurseWELD products can be manufactured to meet specific customer applications on request

# FurseWELD

## Bar to steel surface BS2



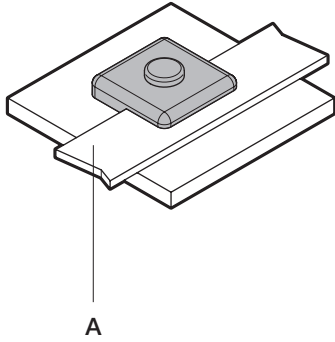
Bar to steel surface BS2 - FurseWELD

| Flat tape conductor size A (mm) | Part no.         |                |              |            |                   |
|---------------------------------|------------------|----------------|--------------|------------|-------------------|
|                                 | Powder cartridge | Standard mould | Handle clamp | Mini mould | Mini handle clamp |
| 20 x 3                          | 90P10            | BS2-4-203      | HCPK4        | BS2-3-203  | HCPK3             |
| 25 x 3                          | 90P10            | BS2-4-253      | HCPK4        | BS2-3-253  | HCPK3             |
| 25 x 4                          | 90P10            | BS2-4-254      | HCPK4        | BS2-3-254  | HCPK3             |
| 25 x 6                          | 150P10           | BS2-4-256      | HCPK4        | —          | —                 |
| 30 x 2                          | 115P10           | BS2-4-302      | HCPK4        | BS2-3-302  | HCPK3             |
| 30 x 3                          | 115P10           | BS2-4-303      | HCPK4        | BS2-3-303  | HCPK3             |
| 30 x 4                          | 150P10           | BS2-4-304      | HCPK4        | —          | —                 |
| 30 x 5                          | 200P10           | BS2-4-305      | HCPK4        | —          | —                 |
| 31 x 3                          | 115P10           | BS2-4-313      | HCPK4        | BS2-3-313  | HCPK3             |
| 31 x 6                          | 200P10           | BS2-4-316      | HCPK4        | —          | —                 |
| 38 x 3                          | 150P10           | BS2-4-383      | HCPK4        | —          | —                 |
| 38 x 5                          | 200P10           | BS2-4-385      | HCPK4        | —          | —                 |
| 38 x 6                          | 200P10           | BS2-4-386      | HCPK4        | —          | —                 |
| 40 x 3                          | 115P10           | BS2-4-403      | HCPK4        | —          | —                 |
| 40 x 4                          | 200P10           | BS2-4-404      | HCPK4        | —          | —                 |
| 40 x 5                          | 200P10           | BS2-4-405      | HCPK4        | —          | —                 |
| 40 x 6                          | 250P10           | BS2-4-406      | HCPK4        | —          | —                 |
| 50 x 3                          | 200P10           | BS2-4-503      | HCPK4        | —          | —                 |
| 50 x 4                          | 2 x 150P10       | BS2-5-504      | HCPK5        | —          | —                 |
| 50 x 5                          | 2 x 150P10       | BS2-5-505      | HCPK5        | —          | —                 |
| 50 x 6                          | 2 x 150P10       | BS2-5-506      | HCPK5        | —          | —                 |

Special moulds for all FurseWELD products can be manufactured to meet specific customer applications on request

# FurseWELD

## Bar to steel surface BS3



### Bar to steel surface BS3 - FurseWELD

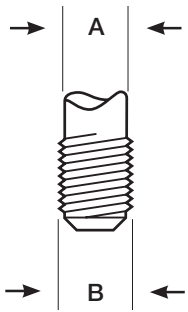
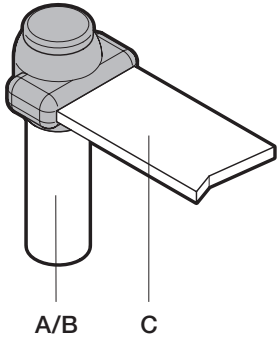
| Flat tape conductor size A (mm) | Part no.         |                |              |            |                   |
|---------------------------------|------------------|----------------|--------------|------------|-------------------|
|                                 | Powder cartridge | Standard mould | Handle clamp | Mini mould | Mini handle clamp |
| 20 x 3                          | 90P10            | BS3-4-203      | HCPK4        | BS3-3-203  | HCPK3             |
| 25 x 3                          | 115P10           | BS3-4-253      | HCPK4        | BS3-3-253  | HCPK3             |
| 25 x 4                          | 115P10           | BS3-4-254      | HCPK4        | BS3-3-254  | HCPK3             |
| 25 x 6                          | 150P10           | BS3-4-256      | HCPK4        | -          | -                 |
| 30 x 2                          | 115P10           | BS3-4-302      | HCPK4        | BS3-3-302  | HCPK3             |
| 30 x 3                          | 115P10           | BS3-4-303      | HCPK4        | BS3-3-303  | HCPK3             |
| 30 x 4                          | 150P10           | BS3-4-304      | HCPK4        | -          | -                 |
| 30 x 5                          | 200P10           | BS3-4-305      | HCPK4        | -          | -                 |
| 31 x 3                          | 115P10           | BS3-4-313      | HCPK4        | BS3-3-313  | HCPK3             |
| 31 x 6                          | 200P10           | BS3-4-316      | HCPK4        | -          | -                 |
| 38 x 3                          | 150P10           | BS3-4-383      | HCPK4        | -          | -                 |
| 38 x 5                          | 200P10           | BS3-4-385      | HCPK4        | -          | -                 |
| 38 x 6                          | 250P10           | BS3-4-386      | HCPK4        | -          | -                 |
| 40 x 3                          | 150P10           | BS3-4-403      | HCPK4        | -          | -                 |
| 40 x 4                          | 200P10           | BS3-4-404      | HCPK4        | -          | -                 |
| 40 x 5                          | 250P10           | BS3-4-405      | HCPK4        | -          | -                 |
| 40 x 6                          | 250P10           | BS3-4-406      | HCPK4        | -          | -                 |
| 50 x 3                          | 250P10           | BS3-4-503      | HCPK4        | -          | -                 |
| 50 x 4                          | 250P10           | BS3-4-504      | HCPK4        | -          | -                 |
| 50 x 5                          | 250P10           | BS3-4-505      | HCPK4        | -          | -                 |
| 50 x 6                          | 250P10           | BS3-4-506      | HCPK4        | -          | -                 |

Special moulds for all FurseWELD products can be manufactured to meet specific customer applications on request



# FurseWELD

## Bar to earth rod BR1



Bar to earth rod BR1 - FurseWELD

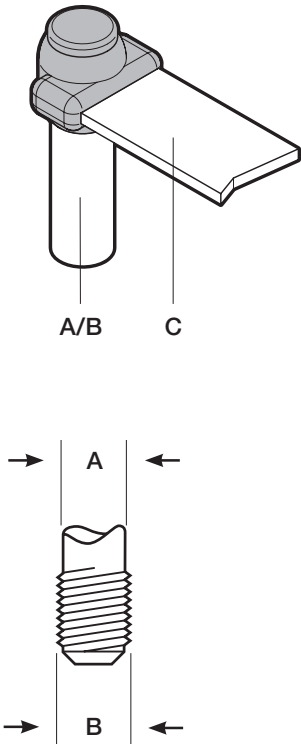
| Earth rod A<br>ø (mm) | Earth rod B<br>ø (") | Flat tape<br>conductor size C<br>(mm) | Part no.            |                   |              |              |                      |
|-----------------------|----------------------|---------------------------------------|---------------------|-------------------|--------------|--------------|----------------------|
|                       |                      |                                       | Powder<br>cartridge | Standard<br>mould | Handle clamp | Mini mould   | Mini<br>handle clamp |
| 12.7                  | ½                    | 20 x 3                                | 90P10               | BR1-4-127203      | HCPK4        | BR1-3-128203 | HCPK3                |
| 12.7                  | ½                    | 25 x 3                                | 90P10               | BR1-4-127253      | HCPK4        | BR1-3-128253 | HCPK3                |
| 12.7                  | ½                    | 25 x 4                                | 90P10               | BR1-4-127254      | HCPK4        | BR1-3-128254 | HCPK3                |
| 12.7                  | ½                    | 30 x 2                                | 90P10               | BR1-4-127302      | HCPK4        | BR1-3-128302 | HCPK3                |
| 12.7                  | ½                    | 30 x 3                                | 90P10               | BR1-4-127303      | HCPK4        | BR1-3-128303 | HCPK3                |
| 12.7                  | ½                    | 31 x 3                                | 90P10               | BR1-4-127313      | HCPK4        | BR1-3-128313 | HCPK3                |
| 12.7                  | ½                    | 38 x 3                                | 90P10               | BR1-4-127383      | HCPK4        | -            | -                    |
| 12.7                  | ½                    | 40 x 3                                | 90P10               | BR1-4-127403      | HCPK4        | -            | -                    |
| 12.7                  | ½                    | 50 x 3                                | 115P10              | BR1-4-127503      | HCPK4        | -            | -                    |
| 12.7                  | ½                    | 50 x 6                                | 115P10              | BR1-4-127506      | HCPK4        | -            | -                    |
| 14.2                  | ⅝                    | 20 x 3                                | 90P10               | BR1-4-142203      | HCPK4        | BR1-3-142203 | HCPK3                |
| 14.2                  | ⅝                    | 25 x 3                                | 90P10               | BR1-4-142253      | HCPK4        | BR1-3-142253 | HCPK3                |
| 14.2                  | ⅝                    | 25 x 4                                | 115P10              | BR1-4-142254      | HCPK4        | BR1-3-142254 | HCPK3                |
| 14.2                  | ⅝                    | 25 x 6                                | 115P10              | BR1-4-142256      | HCPK4        | BR1-3-142256 | HCPK3                |
| 14.2                  | ⅝                    | 30 x 2                                | 115P10              | BR1-4-142302      | HCPK4        | BR1-3-142302 | HCPK3                |
| 14.2                  | ⅝                    | 30 x 3                                | 115P10              | BR1-4-142303      | HCPK4        | BR1-3-142303 | HCPK3                |
| 14.2                  | ⅝                    | 30 x 4                                | 150P10              | BR1-4-142304      | HCPK4        | -            | -                    |
| 14.2                  | ⅝                    | 30 x 5                                | 150P10              | BR1-4-142305      | HCPK4        | -            | -                    |
| 14.2                  | ⅝                    | 31 x 3                                | 115P10              | BR1-4-142313      | HCPK4        | BR1-3-142313 | HCPK3                |
| 14.2                  | ⅝                    | 31 x 6                                | 150P10              | BR1-4-142316      | HCPK4        | -            | -                    |
| 14.2                  | ⅝                    | 38 x 3                                | 115P10              | BR1-4-142383      | HCPK4        | -            | -                    |
| 14.2                  | ⅝                    | 38 x 5                                | 150P10              | BR1-4-142385      | HCPK4        | -            | -                    |
| 14.2                  | ⅝                    | 38 x 6                                | 200P10              | BR1-4-142386      | HCPK4        | -            | -                    |
| 14.2                  | ⅝                    | 40 x 3                                | 115P10              | BR1-4-142403      | HCPK4        | -            | -                    |
| 14.2                  | ⅝                    | 40 x 4                                | 150P10              | BR1-4-142404      | HCPK4        | -            | -                    |
| 14.2                  | ⅝                    | 40 x 5                                | 150P10              | BR1-4-142405      | HCPK4        | -            | -                    |
| 14.2                  | ⅝                    | 40 x 6                                | 200P10              | BR1-4-142406      | HCPK4        | -            | -                    |
| 14.2                  | ⅝                    | 50 x 3                                | 150P10              | BR1-4-142503      | HCPK4        | -            | -                    |
| 14.2                  | ⅝                    | 50 x 4                                | 200P10              | BR1-4-142504      | HCPK4        | -            | -                    |
| 14.2                  | ⅝                    | 50 x 5                                | 200P10              | BR1-4-142505      | HCPK4        | -            | -                    |
| 14.2                  | ⅝                    | 50 x 6                                | 200P10              | BR1-4-142506      | HCPK4        | -            | -                    |

Suitable for connections to copperbond rods - for connections to solid copper and stainless steel rods please contact our sales office  
Threaded portion of copperbond rods must be removed prior to welding

Special moulds for all FurseWELD products can be manufactured to meet specific customer applications on request

# FurseWELD

## Bar to earth rod BR1



Bar to earth rod BR1 (continued) - FurseWELD

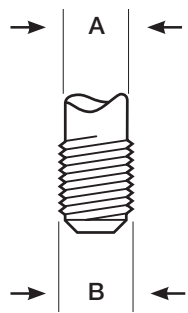
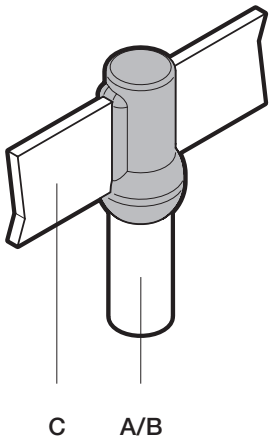
| Earth rod A<br>ø (mm) | Earth rod B<br>ø (") | Flat tape<br>conductor size C<br>(mm) | Part no.            |                   |              |              |                      |
|-----------------------|----------------------|---------------------------------------|---------------------|-------------------|--------------|--------------|----------------------|
|                       |                      |                                       | Powder<br>cartridge | Standard<br>mould | Handle clamp | Mini mould   | Mini<br>handle clamp |
| 17.2                  | ¾                    | 20 x 3                                | 115P10              | BR1-4-172203      | HCPK4        | BR1-3-172203 | HCPK3                |
| 17.2                  | ¾                    | 25 x 3                                | 150P10              | BR1-4-172253      | HCPK4        | -            | -                    |
| 17.2                  | ¾                    | 25 x 4                                | 150P10              | BR1-4-172254      | HCPK4        | -            | -                    |
| 17.2                  | ¾                    | 25 x 6                                | 200P10              | BR1-4-172256      | HCPK4        | -            | -                    |
| 17.2                  | ¾                    | 30 x 2                                | 150P10              | BR1-4-172302      | HCPK4        | -            | -                    |
| 17.2                  | ¾                    | 30 x 3                                | 150P10              | BR1-4-172303      | HCPK4        | -            | -                    |
| 17.2                  | ¾                    | 30 x 4                                | 250P10              | BR1-4-172304      | HCPK4        | -            | -                    |
| 17.2                  | ¾                    | 30 x 5                                | 200P10              | BR1-4-172305      | HCPK4        | -            | -                    |
| 17.2                  | ¾                    | 31 x 3                                | 150P10              | BR1-4-172313      | HCPK4        | -            | -                    |
| 17.2                  | ¾                    | 31 x 6                                | 250P10              | BR1-4-172316      | HCPK4        | -            | -                    |
| 17.2                  | ¾                    | 38 x 3                                | 200P10              | BR1-4-172383      | HCPK4        | -            | -                    |
| 17.2                  | ¾                    | 38 x 5                                | 200P10              | BR1-4-172385      | HCPK4        | -            | -                    |
| 17.2                  | ¾                    | 38 x 6                                | 2 x 150P10          | BR1-5-172386      | HCPK5        | -            | -                    |
| 17.2                  | ¾                    | 40 x 3                                | 200P10              | BR1-4-172403      | HCPK4        | -            | -                    |
| 17.2                  | ¾                    | 40 x 4                                | 200P10              | BR1-4-172404      | HCPK4        | -            | -                    |
| 17.2                  | ¾                    | 40 x 5                                | 200P10              | BR1-4-172405      | HCPK4        | -            | -                    |
| 17.2                  | ¾                    | 40 x 6                                | 2 x 150P10          | BR1-5-172406      | HCPK5        | -            | -                    |
| 17.2                  | ¾                    | 50 x 3                                | 2 x 150P10          | BR1-5-172503      | HCPK5        | -            | -                    |
| 17.2                  | ¾                    | 50 x 4                                | 2 x 150P10          | BR1-5-172504      | HCPK5        | -            | -                    |
| 17.2                  | ¾                    | 50 x 5                                | 2 x 150P10          | BR1-5-172505      | HCPK5        | -            | -                    |
| 17.2                  | ¾                    | 50 x 6                                | 2 x 200P10          | BR1-5-172506      | HCPK5        | -            | -                    |

Suitable for connections to copperbond rods - for connections to solid copper and stainless steel rods please contact our sales office  
Threaded portion of copperbond rods must be removed prior to welding

Special moulds for all FurseWELD products can be manufactured to meet specific customer applications on request

# FurseWELD

## Bar to earth rod BR2



### Bar to earth rod BR2 - FurseWELD

| Earth rod A<br>ø (mm) | Earth rod B<br>ø (") | Flat tape<br>conductor size C<br>(mm) | Part no.            |                   |              |              |                      |
|-----------------------|----------------------|---------------------------------------|---------------------|-------------------|--------------|--------------|----------------------|
|                       |                      |                                       | Powder<br>cartridge | Standard<br>mould | Handle clamp | Mini mould   | Mini<br>handle clamp |
| 12.7                  | ½                    | 20 x 3                                | 90P10               | BR2-4-127203      | HCPK4        | BR2-3-128203 | HCPK3                |
| 12.7                  | ½                    | 25 x 3                                | 90P10               | BR2-4-127253      | HCPK4        | BR2-3-128253 | HCPK3                |
| 12.7                  | ½                    | 25 x 4                                | 90P10               | BR2-4-127254      | HCPK4        | BR2-3-128254 | HCPK3                |
| 12.7                  | ½                    | 30 x 2                                | 90P10               | BR2-4-127302      | HCPK4        | BR2-3-128302 | HCPK3                |
| 12.7                  | ½                    | 30 x 3                                | 90P10               | BR2-4-127303      | HCPK4        | BR2-3-128303 | HCPK3                |
| 12.7                  | ½                    | 31 x 3                                | 90P10               | BR2-4-127313      | HCPK4        | BR2-3-128313 | HCPK3                |
| 12.7                  | ½                    | 38 x 3                                | 90P10               | BR2-4-127383      | HCPK4        | BR2-3-128383 | HCPK3                |
| 12.7                  | ½                    | 40 x 3                                | 90P10               | BR2-4-127403      | HCPK4        | BR2-3-128403 | HCPK3                |
| 12.7                  | ½                    | 50 x 3                                | 115P10              | BR2-4-127503      | HCPK4        | -            | -                    |
| 14.2                  | ⅝                    | 20 x 3                                | 90P10               | BR2-4-142203      | HCPK4        | BR2-3-142203 | HCPK3                |
| 14.2                  | ⅝                    | 25 x 3                                | 90P10               | BR2-4-142253      | HCPK4        | BR2-3-142253 | HCPK3                |
| 14.2                  | ⅝                    | 25 x 4                                | 115P10              | BR2-4-142254      | HCPK4        | BR2-3-142254 | HCPK3                |
| 14.2                  | ⅝                    | 25 x 6                                | 150P10              | BR2-4-142256      | HCPK4        | -            | -                    |
| 14.2                  | ⅝                    | 30 x 2                                | 90P10               | BR2-4-142302      | HCPK4        | BR2-3-142302 | HCPK3                |
| 14.2                  | ⅝                    | 30 x 3                                | 115P10              | BR2-4-142303      | HCPK4        | BR2-3-142303 | HCPK3                |
| 14.2                  | ⅝                    | 30 x 4                                | 150P10              | BR2-4-142304      | HCPK4        | -            | -                    |
| 14.2                  | ⅝                    | 30 x 5                                | 150P10              | BR2-4-142305      | HCPK4        | -            | -                    |
| 14.2                  | ⅝                    | 31 x 3                                | 115P10              | BR2-4-142313      | HCPK4        | BR2-3-142313 | HCPK3                |
| 14.2                  | ⅝                    | 31 x 6                                | 150P10              | BR2-4-142316      | HCPK4        | -            | -                    |
| 14.2                  | ⅝                    | 38 x 3                                | 150P10              | BR2-4-142383      | HCPK4        | -            | -                    |
| 14.2                  | ⅝                    | 38 x 5                                | 150P10              | BR2-4-142385      | HCPK4        | -            | -                    |
| 14.2                  | ⅝                    | 38 x 6                                | 200P10              | BR2-4-142386      | HCPK4        | -            | -                    |
| 14.2                  | ⅝                    | 40 x 3                                | 150P10              | BR2-4-142403      | HCPK4        | -            | -                    |
| 14.2                  | ⅝                    | 40 x 4                                | 150P10              | BR2-4-142404      | HCPK4        | -            | -                    |
| 14.2                  | ⅝                    | 40 x 5                                | 150P10              | BR2-4-142405      | HCPK4        | -            | -                    |
| 14.2                  | ⅝                    | 40 x 6                                | 200P10              | BR2-4-142406      | HCPK4        | -            | -                    |
| 14.2                  | ⅝                    | 50 x 3                                | 200P10              | BR2-4-142503      | HCPK4        | -            | -                    |
| 14.2                  | ⅝                    | 50 x 4                                | 200P10              | BR2-4-142504      | HCPK4        | -            | -                    |
| 14.2                  | ⅝                    | 50 x 5                                | 200P10              | BR2-4-142505      | HCPK4        | -            | -                    |
| 14.2                  | ⅝                    | 50 x 6                                | 250P10              | BR2-4-142506      | HCPK4        | -            | -                    |

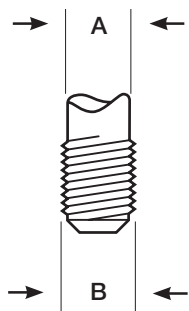
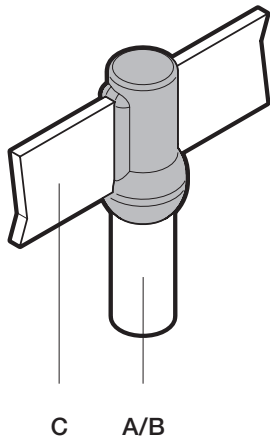
Suitable for connections to copperbond rods - for connections to solid copper and stainless steel rods please contact our sales office

Threaded portion of copperbond rods must be removed prior to welding

Special moulds for all FurseWELD products can be manufactured to meet specific customer applications on request

# FurseWELD

## Bar to earth rod BR2



Bar to earth rod BR2 (continued) - FurseWELD

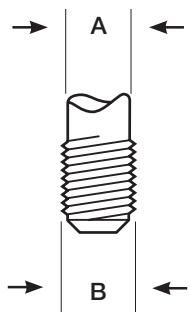
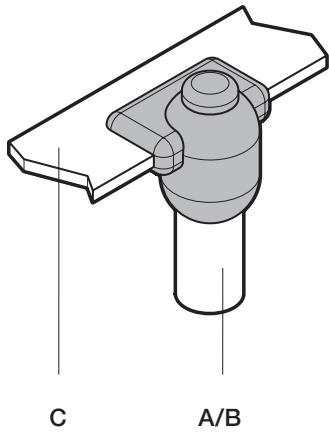
| Earth rod A<br>ø (mm) | Earth rod B<br>ø (") | Flat tape<br>conductor size C<br>(mm) | Part no.            |                   |              |            |                      |
|-----------------------|----------------------|---------------------------------------|---------------------|-------------------|--------------|------------|----------------------|
|                       |                      |                                       | Powder<br>cartridge | Standard<br>mould | Handle clamp | Mini mould | Mini<br>handle clamp |
| 17.2                  | 3/4                  | 20 x 3                                | 150P10              | BR2-4-172203      | HCPK4        | -          | -                    |
| 17.2                  | 3/4                  | 25 x 3                                | 150P10              | BR2-4-172253      | HCPK4        | -          | -                    |
| 17.2                  | 3/4                  | 25 x 4                                | 200P10              | BR2-4-172254      | HCPK4        | -          | -                    |
| 17.2                  | 3/4                  | 25 x 6                                | 200P10              | BR2-4-172256      | HCPK4        | -          | -                    |
| 17.2                  | 3/4                  | 30 x 2                                | 150P10              | BR2-4-172302      | HCPK4        | -          | -                    |
| 17.2                  | 3/4                  | 30 x 3                                | 150P10              | BR2-4-172303      | HCPK4        | -          | -                    |
| 17.2                  | 3/4                  | 30 x 4                                | 250P10              | BR2-4-172304      | HCPK4        | -          | -                    |
| 17.2                  | 3/4                  | 30 x 5                                | 200P10              | BR2-4-172305      | HCPK4        | -          | -                    |
| 17.2                  | 3/4                  | 31 x 3                                | 200P10              | BR2-4-172313      | HCPK4        | -          | -                    |
| 17.2                  | 3/4                  | 31 x 6                                | 250P10              | BR2-4-172316      | HCPK4        | -          | -                    |
| 17.2                  | 3/4                  | 38 x 3                                | 200P10              | BR2-4-172383      | HCPK4        | -          | -                    |
| 17.2                  | 3/4                  | 38 x 5                                | 200P10              | BR2-4-172385      | HCPK4        | -          | -                    |
| 17.2                  | 3/4                  | 38 x 6                                | 250P10              | BR2-4-172386      | HCPK4        | -          | -                    |
| 17.2                  | 3/4                  | 40 x 3                                | 200P10              | BR2-4-172403      | HCPK4        | -          | -                    |
| 17.2                  | 3/4                  | 40 x 4                                | 200P10              | BR2-4-172404      | HCPK4        | -          | -                    |
| 17.2                  | 3/4                  | 40 x 5                                | 200P10              | BR2-4-172405      | HCPK4        | -          | -                    |
| 17.2                  | 3/4                  | 40 x 6                                | 250P10              | BR2-4-172406      | HCPK4        | -          | -                    |
| 17.2                  | 3/4                  | 50 x 3                                | 2 x 150P10          | BR2-5-172503      | HCPK5        | -          | -                    |
| 17.2                  | 3/4                  | 50 x 4                                | 2 x 150P10          | BR2-5-172504      | HCPK5        | -          | -                    |
| 17.2                  | 3/4                  | 50 x 5                                | 2 x 150P10          | BR2-5-172505      | HCPK5        | -          | -                    |
| 17.2                  | 3/4                  | 50 x 6                                | 2 x 150P10          | BR2-5-172506      | HCPK5        | -          | -                    |

Suitable for connections to copperbond rods - for connections to solid copper and stainless steel rods please contact our sales office  
Threaded portion of copperbond rods must be removed prior to welding

Special moulds for all FurseWELD products can be manufactured to meet specific customer applications on request

# FurseWELD

## Bar to earth rod BR7



### Bar to earth rod BR7 - FurseWELD

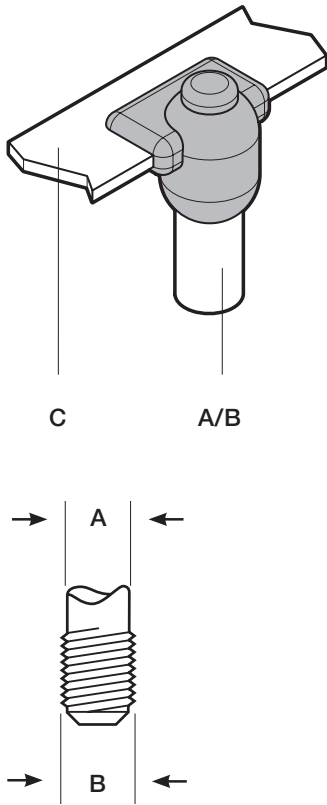
| Earth rod A<br>ø (mm) | Earth rod B<br>ø (") | Flat tape<br>conductor size C<br>(mm) | Part no.            |                   |              |              |                      |
|-----------------------|----------------------|---------------------------------------|---------------------|-------------------|--------------|--------------|----------------------|
|                       |                      |                                       | Powder<br>cartridge | Standard<br>mould | Handle clamp | Mini mould   | Mini<br>handle clamp |
| 12.7                  | ½                    | 20 x 3                                | 90P10               | BR7-4-127203      | HCPK4        | BR7-3-127203 | HCPK3                |
| 12.7                  | ½                    | 25 x 3                                | 90P10               | BR7-4-127253      | HCPK4        | BR7-3-127253 | HCPK3                |
| 12.7                  | ½                    | 25 x 4                                | 90P10               | BR7-4-127254      | HCPK4        | BR7-3-127254 | HCPK3                |
| 12.7                  | ½                    | 30 x 2                                | 90P10               | BR7-4-127302      | HCPK4        | BR7-3-127302 | HCPK3                |
| 12.7                  | ½                    | 30 x 3                                | 90P10               | BR7-4-127303      | HCPK4        | BR7-3-127303 | HCPK3                |
| 12.7                  | ½                    | 31 x 3                                | 90P10               | BR7-4-127313      | HCPK4        | BR7-3-127313 | HCPK3                |
| 12.7                  | ½                    | 38 x 3                                | 90P10               | BR7-4-127383      | HCPK4        | -            | -                    |
| 12.7                  | ½                    | 40 x 3                                | 90P10               | BR7-4-127403      | HCPK4        | -            | -                    |
| 12.7                  | ½                    | 50 x 3                                | 115P10              | BR7-4-127503      | HCPK4        | -            | -                    |
| 12.7                  | ½                    | 50 x 6                                | 115P10              | BR7-4-127506      | HCPK4        | -            | -                    |
| 14.2                  | ¾                    | 20 x 3                                | 90P10               | BR7-4-142203      | HCPK4        | BR7-3-142203 | HCPK3                |
| 14.2                  | ¾                    | 25 x 3                                | 90P10               | BR7-4-142253      | HCPK4        | BR7-3-142253 | HCPK3                |
| 14.2                  | ¾                    | 25 x 4                                | 115P10              | BR7-4-142254      | HCPK4        | BR7-3-142254 | HCPK3                |
| 14.2                  | ¾                    | 25 x 6                                | 115P10              | BR7-4-142256      | HCPK4        | BR7-3-142256 | HCPK3                |
| 14.2                  | ¾                    | 30 x 2                                | 115P10              | BR7-4-142302      | HCPK4        | BR7-3-142302 | HCPK3                |
| 14.2                  | ¾                    | 30 x 3                                | 115P10              | BR7-4-142303      | HCPK4        | BR7-3-142303 | HCPK3                |
| 14.2                  | ¾                    | 30 x 4                                | 150P10              | BR7-4-142304      | HCPK4        | -            | -                    |
| 14.2                  | ¾                    | 30 x 5                                | 150P10              | BR7-4-142305      | HCPK4        | -            | -                    |
| 14.2                  | ¾                    | 31 x 3                                | 115P10              | BR7-4-142313      | HCPK4        | BR7-3-142313 | HCPK3                |
| 14.2                  | ¾                    | 31 x 6                                | 150P10              | BR7-4-142316      | HCPK4        | -            | -                    |
| 14.2                  | ¾                    | 38 x 3                                | 115P10              | BR7-4-142383      | HCPK4        | -            | -                    |
| 14.2                  | ¾                    | 38 x 5                                | 150P10              | BR7-4-142385      | HCPK4        | -            | -                    |
| 14.2                  | ¾                    | 38 x 6                                | 200P10              | BR7-4-142386      | HCPK4        | -            | -                    |
| 14.2                  | ¾                    | 40 x 3                                | 115P10              | BR7-4-142403      | HCPK4        | -            | -                    |
| 14.2                  | ¾                    | 40 x 4                                | 150P10              | BR7-4-142404      | HCPK4        | -            | -                    |
| 14.2                  | ¾                    | 40 x 5                                | 150P10              | BR7-4-142405      | HCPK4        | -            | -                    |
| 14.2                  | ¾                    | 40 x 6                                | 200P10              | BR7-4-142406      | HCPK4        | -            | -                    |
| 14.2                  | ¾                    | 50 x 3                                | 150P10              | BR7-4-142503      | HCPK4        | -            | -                    |
| 14.2                  | ¾                    | 50 x 4                                | 200P10              | BR7-4-142504      | HCPK4        | -            | -                    |
| 14.2                  | ¾                    | 50 x 5                                | 200P10              | BR7-4-142505      | HCPK4        | -            | -                    |
| 14.2                  | ¾                    | 50 x 6                                | 200P10              | BR7-4-142506      | HCPK4        | -            | -                    |

Suitable for connections to copperbond rods - for connections to solid copper and stainless steel rods please contact our sales office  
Threaded portion of copperbond rods must be removed prior to welding

Special moulds for all FurseWELD products can be manufactured to meet specific customer applications on request

# FurseWELD

## Bar to earth rod BR7



Bar to earth rod BR7 (continued) - FurseWELD

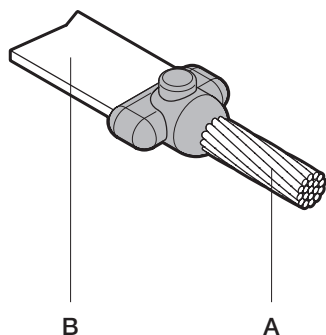
| Earth rod A<br>ø (mm) | Earth rod B<br>ø (") | Flat tape<br>conductor size C<br>(mm) | Part no.            |                   |              |              |                      |
|-----------------------|----------------------|---------------------------------------|---------------------|-------------------|--------------|--------------|----------------------|
|                       |                      |                                       | Powder<br>cartridge | Standard<br>mould | Handle clamp | Mini mould   | Mini<br>handle clamp |
| 17.2                  | ¾                    | 20 x 3                                | 115P10              | BR7-4-172203      | HCPK4        | BR7-3-172203 | HCPK3                |
| 17.2                  | ¾                    | 25 x 3                                | 150P10              | BR7-4-172253      | HCPK4        | -            | -                    |
| 17.2                  | ¾                    | 25 x 4                                | 150P10              | BR7-4-172254      | HCPK4        | -            | -                    |
| 17.2                  | ¾                    | 25 x 6                                | 200P10              | BR7-4-172256      | HCPK4        | -            | -                    |
| 17.2                  | ¾                    | 30 x 2                                | 150P10              | BR7-4-172302      | HCPK4        | -            | -                    |
| 17.2                  | ¾                    | 30 x 3                                | 150P10              | BR7-4-172303      | HCPK4        | -            | -                    |
| 17.2                  | ¾                    | 30 x 4                                | 250P10              | BR7-4-172304      | HCPK4        | -            | -                    |
| 17.2                  | ¾                    | 30 x 5                                | 200P10              | BR7-4-172305      | HCPK4        | -            | -                    |
| 17.2                  | ¾                    | 31 x 3                                | 200P10              | BR7-4-172313      | HCPK4        | -            | -                    |
| 17.2                  | ¾                    | 31 x 6                                | 200P10              | BR7-4-172316      | HCPK4        | -            | -                    |
| 17.2                  | ¾                    | 38 x 3                                | 200P10              | BR7-4-172383      | HCPK4        | -            | -                    |
| 17.2                  | ¾                    | 38 x 5                                | 200P10              | BR7-4-172385      | HCPK4        | -            | -                    |
| 17.2                  | ¾                    | 38 x 6                                | 250P10              | BR7-5-172386      | HCPK5        | -            | -                    |
| 17.2                  | ¾                    | 40 x 3                                | 200P10              | BR7-4-172403      | HCPK4        | -            | -                    |
| 17.2                  | ¾                    | 40 x 4                                | 200P10              | BR7-4-172404      | HCPK4        | -            | -                    |
| 17.2                  | ¾                    | 40 x 5                                | 200P10              | BR7-4-172405      | HCPK4        | -            | -                    |
| 17.2                  | ¾                    | 40 x 6                                | 250P10              | BR7-5-172406      | HCPK5        | -            | -                    |
| 17.2                  | ¾                    | 50 x 3                                | 250P10              | BR7-5-172503      | HCPK5        | -            | -                    |
| 17.2                  | ¾                    | 50 x 4                                | 250P10              | BR7-5-172504      | HCPK5        | -            | -                    |
| 17.2                  | ¾                    | 50 x 5                                | 2 x 150P10          | BR7-5-172505      | HCPK5        | -            | -                    |
| 17.2                  | ¾                    | 50 x 6                                | 2 x 200P10          | BR7-5-172506      | HCPK5        | -            | -                    |

Suitable for connections to copperbond rods - for connections to solid copper and stainless steel rods please contact our sales office  
Threaded portion of copperbond rods must be removed prior to welding

Special moulds for all FurseWELD products can be manufactured to meet specific customer applications on request

# FurseWELD

## Cable to bar CB1



Cable to bar CB1 - FurseWELD

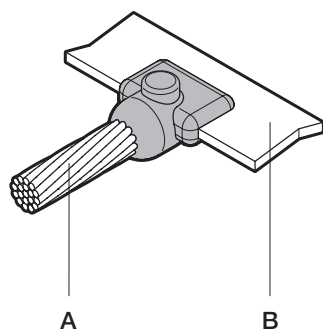
| Stranded /<br>solid circular<br>conductor size A<br>(mm <sup>2</sup> ) | Flat tape<br>conductor size B<br>(mm) | Part no.            |                   |              |               |                      |
|--|---------------------------------------|---------------------|-------------------|--------------|---------------|----------------------|
|  |                                       | Powder<br>cartridge | Standard<br>mould | Handle clamp | Mini mould    | Mini<br>handle clamp |
| 16 *   | 20 x 3                                | 45P10               | CB1-4-16203       | HCPK4        | CB1-3-16203   | HCPK3                |
| 16 *   | 25 x 3                                | 45P10               | CB1-4-16253       | HCPK4        | CB1-3-16253   | HCPK3                |
| 25   | 20 x 3                                | 32P10               | CB1-4-25203       | HCPK4        | CB1-3-25203   | HCPK3                |
| 25   | 25 x 3                                | 45P10               | CB1-4-25253       | HCPK4        | CB1-3-25253   | HCPK3                |
| 35   | 20 x 3                                | 45P10               | CB1-4-35203       | HCPK4        | CB1-3-35203   | HCPK3                |
| 35   | 25 x 3                                | 45P10               | CB1-4-35253       | HCPK4        | CB1-3-35253   | HCPK3                |
| 50   | 20 x 3                                | 45P10               | CB1-4-50203       | HCPK4        | CB1-3-50203   | HCPK3                |
| 50   | 25 x 3                                | 65P10               | CB1-4-50253       | HCPK4        | CB1-3-50253   | HCPK3                |
| Ø 8  | 20 x 3                                | 45P10               | CB1-4-8SC203      | HCPK4        | CB1-3-8SC203  | HCPK3                |
| Ø 8  | 25 x 3                                | 65P10               | CB1-4-8SC253      | HCPK4        | CB1-3-8SC253  | HCPK3                |
| 70   | 25 x 3                                | 65P10               | CB1-4-70253       | HCPK4        | CB1-3-70253   | HCPK3                |
| 70   | 25 x 4                                | 65P10               | CB1-4-70254       | HCPK4        | CB1-3-70254   | HCPK3                |
| 70   | 25 x 6                                | 65P10               | CB1-4-70256       | HCPK4        | CB1-3-70256   | HCPK3                |
| Ø 10   | 25 x 3                                | 65P10               | CB1-4-10SC253     | HCPK4        | CB1-3-10SC253 | HCPK3                |
| Ø 10   | 25 x 4                                | 65P10               | CB1-4-10SC254     | HCPK4        | CB1-3-10SC254 | HCPK3                |
| Ø 10   | 25 x 6                                | 65P10               | CB1-4-10SC256     | HCPK4        | CB1-3-10SC256 | HCPK3                |
| 95   | 25 x 4                                | 90P10               | CB1-4-95254       | HCPK4        | CB1-3-95254   | HCPK3                |
| 95   | 25 x 6                                | 90P10               | CB1-4-95256       | HCPK4        | CB1-3-95256   | HCPK3                |
| 120  | 25 x 6                                | 90P10               | CB1-4-120256      | HCPK4        | CB1-3-120256  | HCPK3                |
| 120  | 30 x 5                                | 115P10              | CB1-4-120305      | HCPK4        | CB1-3-120305  | HCPK3                |
| 150  | 25 x 6                                | 115P10              | CB1-4-150256      | HCPK4        | CB1-3-150256  | HCPK3                |
| 150  | 30 x 5                                | 115P10              | CB1-4-150305      | HCPK4        | CB1-3-150305  | HCPK3                |
| 150  | 40 x 5                                | 150P10              | CB1-4-150405      | HCPK4        | —             | —                    |
| 185  | 31 x 6                                | 150P10              | CB1-4-185316      | HCPK4        | —             | —                    |
| 185  | 40 x 5                                | 150P10              | CB1-4-185405      | HCPK4        | —             | —                    |
| 185  | 50 x 5                                | 200P10              | CB1-5-185505      | HCPK5        | —             | —                    |
| 240  | 50 x 5                                | 200P10              | CB1-5-240505      | HCPK5        | —             | —                    |
| 240  | 50 x 6                                | 2 x 150P10          | CB1-5-240506      | HCPK5        | —             | —                    |
| 300  | 50 x 6                                | 2 x 150P10          | CB1-5-300506      | HCPK5        | —             | —                    |

Special moulds for all FurseWELD products can be manufactured to meet specific customer applications on request

\*1 x S103 Sleeve required when joining conductors 16 mm<sup>2</sup> or smaller

# FurseWELD

## Cable to bar CB4



Cable to bar CB4 - FurseWELD

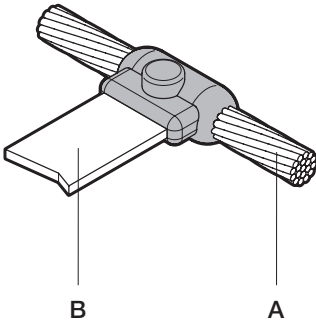
| Stranded /<br>solid circular<br>conductor size A<br>(mm <sup>2</sup> ) | Flat tape<br>conductor size B<br>(mm) | Part no.            |                   |              |               |                      |
|--|---------------------------------------|---------------------|-------------------|--------------|---------------|----------------------|
|  |                                       | Powder<br>cartridge | Standard<br>mould | Handle clamp | Mini mould    | Mini<br>handle clamp |
| 16 *   | 20 x 3                                | 45P10               | CB4-4-16203       | HCPK4        | CB4-3-16203   | HCPK3                |
| 16 *   | 25 x 3                                | 45P10               | CB4-4-16253       | HCPK4        | CB4-3-16253   | HCPK3                |
| 25   | 20 x 3                                | 45P10               | CB4-4-25203       | HCPK4        | CB4-3-25203   | HCPK3                |
| 25   | 25 x 3                                | 45P10               | CB4-4-25253       | HCPK4        | CB4-3-25253   | HCPK3                |
| 35   | 20 x 3                                | 45P10               | CB4-4-35203       | HCPK4        | CB4-3-35203   | HCPK3                |
| 35   | 25 x 3                                | 45P10               | CB4-4-35253       | HCPK4        | CB4-3-35253   | HCPK3                |
| 50   | 20 x 3                                | 45P10               | CB4-4-50203       | HCPK4        | CB4-3-50203   | HCPK3                |
| 50   | 25 x 3                                | 45P10               | CB4-4-50253       | HCPK4        | CB4-3-50253   | HCPK3                |
| Ø 8  | 20 x 3                                | 45P10               | CB4-4-8SC203      | HCPK4        | CB4-3-8SC203  | HCPK3                |
| Ø 8  | 25 x 3                                | 45P10               | CB4-4-8SC253      | HCPK4        | CB4-3-8SC253  | HCPK3                |
| 70   | 25 x 3                                | 65P10               | CB4-4-70253       | HCPK4        | CB4-3-70253   | HCPK3                |
| 70   | 25 x 4                                | 65P10               | CB4-4-70254       | HCPK4        | CB4-3-70254   | HCPK3                |
| 70   | 25 x 6                                | 90P10               | CB4-4-70256       | HCPK4        | CB4-3-70256   | HCPK3                |
| Ø 10   | 25 x 3                                | 65P10               | CB4-4-10SC253     | HCPK4        | CB4-3-10SC253 | HCPK3                |
| Ø 10   | 25 x 4                                | 65P10               | CB4-4-10SC254     | HCPK4        | CB4-3-10SC254 | HCPK3                |
| Ø 10   | 25 x 6                                | 90P10               | CB4-4-10SC256     | HCPK4        | CB4-3-10SC256 | HCPK3                |
| 95   | 25 x 4                                | 90P10               | CB4-4-95254       | HCPK4        | CB4-3-95254   | HCPK3                |
| 95   | 25 x 6                                | 115P10              | CB4-4-95256       | HCPK4        | CB4-3-95256   | HCPK3                |
| 120  | 25 x 6                                | 115P10              | CB4-4-120256      | HCPK4        | CB4-3-120256  | HCPK3                |
| 120  | 30 x 5                                | 115P10              | CB4-4-120305      | HCPK4        | CB4-3-120305  | HCPK3                |
| 150  | 25 x 6                                | 115P10              | CB4-4-150256      | HCPK4        | CB4-3-150256  | HCPK3                |
| 150  | 30 x 5                                | 115P10              | CB4-4-150305      | HCPK4        | CB4-3-150305  | HCPK3                |
| 150  | 40 x 5                                | 115P10              | CB4-4-150405      | HCPK4        | —             | —                    |
| 185  | 31 x 6                                | 150P10              | CB4-4-185316      | HCPK4        | —             | —                    |
| 185  | 40 x 5                                | 150P10              | CB4-4-185405      | HCPK4        | —             | —                    |
| 185  | 50 x 5                                | 150P10              | CB4-4-185505      | HCPK4        | —             | —                    |
| 240  | 50 x 5                                | 200P10              | CB4-4-240505      | HCPK4        | —             | —                    |
| 240  | 50 x 6                                | 250P10              | CB4-4-240506      | HCPK4        | —             | —                    |
| 300  | 50 x 6                                | 2 x 150P10          | CB4-5-300506      | HCPK5        | —             | —                    |

Special moulds for all FurseWELD products can be manufactured to meet specific customer applications on request  
 \*1 x S103 Sleeve required when joining conductors 16 mm<sup>2</sup> or smaller



# FurseWELD

## Cable to bar CB5



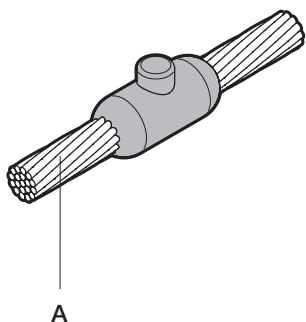
Cable to bar CB5 - FurseWELD

| Stranded /<br>solid circular<br>conductor size A<br>(mm <sup>2</sup> ) | Flat tape<br>conductor size B<br>(mm) | Part no.            |                   |              |               |                      |
|--|---------------------------------------|---------------------|-------------------|--------------|---------------|----------------------|
|  |                                       | Powder<br>cartridge | Standard<br>mould | Handle clamp | Mini mould    | Mini<br>handle clamp |
| 16 *   | 20 x 3                                | 45P10               | CB5-4-16203       | HCPK4        | CB5-3-16303   | HCPK3                |
| 16 *   | 25 x 3                                | 65P10               | CB5-4-16253       | HCPK4        | CB5-3-16253   | HCPK3                |
| 25   | 20 x 3                                | 45P10               | CB5-4-25203       | HCPK4        | CB5-3-25203   | HCPK3                |
| 25   | 25 x 3                                | 65P10               | CB5-4-25253       | HCPK4        | CB5-3-25253   | HCPK3                |
| 35   | 20 x 3                                | 45P10               | CB5-4-35203       | HCPK4        | CB5-3-35203   | HCPK3                |
| 35   | 25 x 3                                | 65P10               | CB5-4-35253       | HCPK4        | CB5-3-35253   | HCPK3                |
| 50   | 20 x 3                                | 65P10               | CB5-4-50203       | HCPK4        | CB5-3-50203   | HCPK3                |
| 50   | 25 x 3                                | 65P10               | CB5-4-50253       | HCPK4        | CB5-3-50253   | HCPK3                |
| Ø 8  | 20 x 3                                | 65P10               | CB5-4-8SC203      | HCPK4        | CB5-3-8SC203  | HCPK3                |
| Ø 8  | 25 x 3                                | 65P10               | CB5-4-8SC253      | HCPK4        | CB5-3-8SC253  | HCPK3                |
| 70   | 25 x 3                                | 90P10               | CB5-4-70253       | HCPK4        | CB5-3-70253   | HCPK3                |
| 70   | 25 x 4                                | 115P10              | CB5-4-70254       | HCPK4        | CB5-3-70254   | HCPK3                |
| 70   | 25 x 6                                | 115P10              | CB5-4-70256       | HCPK4        | CB5-3-70256   | HCPK3                |
| Ø 10   | 25 x 3                                | 115P10              | CB5-4-10SC253     | HCPK4        | CB5-3-10SC253 | HCPK3                |
| Ø 10   | 25 x 4                                | 150P10              | CB5-4-10SC254     | HCPK4        | -             | -                    |
| Ø 10   | 25 x 6                                | 150P10              | CB5-4-10SC256     | HCPK4        | -             | -                    |
| 95   | 25 x 4                                | 150P10              | CB5-4-95254       | HCPK4        | -             | -                    |
| 95   | 25 x 6                                | 150P10              | CB5-4-95256       | HCPK4        | -             | -                    |
| 120  | 25 x 6                                | 150P10              | CB5-4-120256      | HCPK4        | -             | -                    |
| 120  | 30 x 5                                | 200P10              | CB5-4-120305      | HCPK4        | -             | -                    |
| 150  | 25 x 6                                | 200P10              | CB5-4-150256      | HCPK4        | -             | -                    |
| 150  | 30 x 5                                | 200P10              | CB5-4-150305      | HCPK4        | -             | -                    |
| 150  | 40 x 5                                | 250P10              | CB5-4-150405      | HCPK4        | -             | -                    |
| 185  | 31 x 6                                | 250P10              | CB5-4-185316      | HCPK4        | -             | -                    |
| 185  | 40 x 5                                | 250P10              | CB5-4-185405      | HCPK4        | -             | -                    |
| 185  | 50 x 5                                | 2 x 150P10          | CB5-5-185505      | HCPK5        | -             | -                    |
| 240  | 50 x 5                                | 2 x 150P10          | CB5-5-240505      | HCPK5        | -             | -                    |
| 240  | 50 x 6                                | 2 x 200P10          | CB5-5-240506      | HCPK5        | -             | -                    |
| 300  | 50 x 6                                | 2 x 250P10          | CB5-5-300506      | HCPK5        | -             | -                    |

Special moulds for all FurseWELD products can be manufactured to meet specific customer applications on request  
 \*2 x S103 Sleeve required when joining conductors 16 mm<sup>2</sup> or smaller

# FurseWELD

## Cable to cable CC1



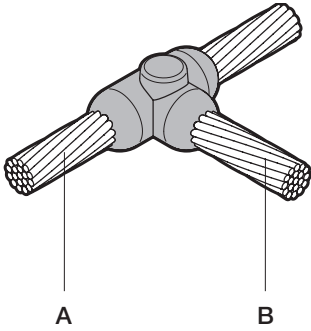
### Cable to cable CC1 - FurseWELD

| Stranded /<br>solid circular<br>conductor size A<br>(mm <sup>2</sup> ) | Part no.            |                   |              |            |                      |
|--|---------------------|-------------------|--------------|------------|----------------------|
|  | Powder<br>cartridge | Standard<br>mould | Handle clamp | Mini mould | Mini<br>handle clamp |
| 16*  | 32P10               | CC1-4-16          | HCPK4        | CC1-3-16   | HCPK3                |
| 25   | 32P10               | CC1-4-25          | HCPK4        | CC1-3-25   | HCPK3                |
| 35   | 32P10               | CC1-4-35          | HCPK4        | CC1-3-35   | HCPK3                |
| 50   | 45P10               | CC1-4-50          | HCPK4        | CC1-3-50   | HCPK3                |
| Ø 8  | 45P10               | CC1-4-8SC         | HCPK4        | CC1-3-8SC  | HCPK3                |
| 70   | 65P10               | CC1-4-70          | HCPK4        | CC1-3-70   | HCPK3                |
| Ø 10   | 65P10               | CC1-4-10SC        | HCPK4        | CC1-3-10SC | HCPK3                |
| 95   | 90P10               | CC1-4-95          | HCPK4        | CC1-3-95   | HCPK3                |
| 120  | 115P10              | CC1-4-120         | HCPK4        | CC1-3-120  | HCPK3                |
| 150  | 115P10              | CC1-4-150         | HCPK4        | CC1-3-150  | HCPK3                |
| 185  | 150P10              | CC1-4-185         | HCPK4        | —          | —                    |
| 240  | 200P10              | CC1-4-240         | HCPK4        | —          | —                    |
| 300  | 250P10              | CC1-4-300         | HCPK4        | —          | —                    |
| 400  | 2 x 150P10          | CC1-5-400         | HCPK5        | —          | —                    |

Special moulds for all FurseWELD products can be manufactured to meet specific customer applications on request  
 \*2 x S103 Sleeve required when joining conductors 16 mm<sup>2</sup> or smaller

# FurseWELD

## Cable to cable CC2



Cable to cable CC2 - FurseWELD

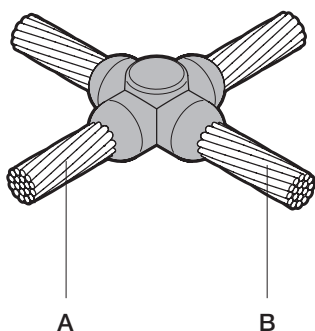
| Stranded /<br>solid circular<br>conductor size A<br>(mm <sup>2</sup> ) | Stranded /<br>solid circular<br>conductor size B<br>(mm <sup>2</sup> ) | Part no.            |                   |              |              |                      |
|--|--|---------------------|-------------------|--------------|--------------|----------------------|
|  |  | Powder<br>cartridge | Standard<br>mould | Handle clamp | Mini mould   | Mini<br>handle clamp |
| 16*  | 16*  | 45P10               | CC2-4-1616        | HCPK4        | CC2-3-1616   | HCPK3                |
| 25   | 25   | 45P10               | CC2-4-2525        | HCPK4        | CC2-3-2525   | HCPK3                |
| 35   | 35   | 45P10               | CC2-4-3535        | HCPK4        | CC2-3-3535   | HCPK3                |
| 35   | 25   | 45P10               | CC2-4-3525        | HCPK4        | CC2-3-3525   | HCPK3                |
| Ø 8  | Ø 8  | 65P10               | CC2-4-88SC        | HCPK4        | CC2-3-88SC   | HCPK3                |
| 50   | 50   | 90P10               | CC2-4-5050        | HCPK4        | CC2-3-5050   | HCPK3                |
| 50   | 35   | 65P10               | CC2-4-5035        | HCPK4        | CC2-3-5035   | HCPK3                |
| 50   | 25   | 65P10               | CC2-4-5025        | HCPK4        | CC2-3-5025   | HCPK3                |
| Ø 10   | Ø 10   | 90P10               | CC2-4-1010SC      | HCPK4        | CC2-3-1010SC | HCPK3                |
| 70   | 70   | 90P10               | CC2-4-7070        | HCPK4        | CC2-3-7070   | HCPK3                |
| 70   | 50   | 90P10               | CC2-4-7050        | HCPK4        | CC2-3-7050   | HCPK3                |
| 70   | 3  | 65P10               | CC2-4-7035        | HCPK4        | CC2-3-7035   | HCPK3                |
| 70   | 25   | 65P10               | CC2-4-7025        | HCPK4        | CC2-3-7025   | HCPK3                |
| 95   | 95   | 115P10              | CC2-4-9595        | HCPK4        | CC2-3-9595   | HCPK3                |
| 95   | 70   | 90P10               | CC2-4-9570        | HCPK4        | CC2-3-9570   | HCPK3                |
| 95   | 50   | 90P10               | CC2-4-9550        | HCPK4        | CC2-3-9550   | HCPK3                |
| 95   | 35   | 90P10               | CC2-4-9535        | HCPK4        | CC2-3-9535   | HCPK3                |
| 120  | 120  | 150P10              | CC2-4-120120      | HCPK4        | —            | —                    |
| 120  | 95   | 150P10              | CC2-4-12095       | HCPK4        | —            | —                    |
| 120  | 70   | 90P10               | CC2-4-12070       | HCPK4        | CC2-3-12070  | HCPK3                |
| 120  | 50   | 90P10               | CC2-4-12050       | HCPK4        | CC2-3-12050  | HCPK3                |
| 150  | 150  | 200P10              | CC2-4-150150      | HCPK4        | —            | —                    |
| 150  | 120  | 150P10              | CC2-4-150120      | HCPK4        | —            | —                    |
| 150  | 95   | 150P10              | CC2-4-15095       | HCPK4        | —            | —                    |
| 150  | 70   | 90P10               | CC2-4-15070       | HCPK4        | CC2-3-15070  | HCPK3                |
| 185  | 185  | 200P10              | CC2-4-185185      | HCPK4        | —            | —                    |
| 185  | 150  | 200P10              | CC2-4-185150      | HCPK4        | —            | —                    |
| 185  | 120  | 200P10              | CC2-4-185120      | HCPK4        | —            | —                    |
| 185  | 95   | 150P10              | CC2-4-18595       | HCPK4        | —            | —                    |
| 240  | 240  | 2 x 150P10          | CC2-4-240240      | HCPK4        | —            | —                    |
| 240  | 185  | 200P10              | CC2-4-240185      | HCPK4        | —            | —                    |
| 240  | 150  | 200P10              | CC2-4-240150      | HCPK4        | —            | —                    |
| 240  | 120  | 200P10              | CC2-4-240120      | HCPK4        | —            | —                    |
| 300  | 300  | 2 x 200P10          | CC2-5-300300      | HCPK5        | —            | —                    |
| 300  | 240  | 2 x 200P10          | CC2-5-300240      | HCPK5        | —            | —                    |
| 300  | 185  | 250P10              | CC2-4-300185      | HCPK4        | —            | —                    |

Special moulds for all FurseWELD products can be manufactured to meet specific customer applications on request

\*3 x S103 Sleeve required when joining conductors 16 mm<sup>2</sup> or smaller

# FurseWELD

## Cable to cable CC4



Cable to cable CC4 - FurseWELD

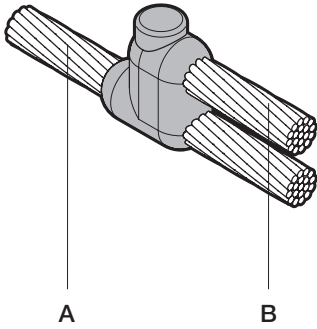
| Stranded /<br>solid circular<br>conductor size A<br>(mm <sup>2</sup> ) | Stranded<br>solid circular<br>conductor size B<br>(mm <sup>2</sup> ) | Part no.            |                   |              |              |                      |
|--|--|---------------------|-------------------|--------------|--------------|----------------------|
|  |  | Powder<br>cartridge | Standard<br>mould | Handle clamp | Mini mould   | Mini<br>handle clamp |
| 16 *   | 16 *   | 65P10               | CC4-4-1616        | HCPK4        | CC4-3-1616   | HCPK3                |
| 25   | 25   | 45P10               | CC4-4-2525        | HCPK4        | CC4-3-2525   | HCPK3                |
| 35   | 35   | 65P10               | CC4-4-3535        | HCPK4        | CC4-3-3535   | HCPK3                |
| 35   | 25   | 65P10               | CC4-4-3525        | HCPK4        | CC4-3-3525   | HCPK3                |
| Ø 8  | Ø 8  | 90P10               | CC4-4-88SC        | HCPK4        | CC4-3-88SC   | HCPK3                |
| 50   | 50   | 90P10               | CC4-4-5050        | HCPK4        | CC4-3-5050   | HCPK3                |
| 50   | 35   | 90P10               | CC4-4-5035        | HCPK4        | CC4-3-5035   | HCPK3                |
| 50   | 25   | 90P10               | CC4-4-5025        | HCPK4        | CC4-3-5025   | HCPK3                |
| Ø 10   | Ø 10   | 115P10              | CC4-4-1010SC      | HCPK4        | CC4-3-1010SC | HCPK3                |
| 70   | 70   | 115P10              | CC4-4-7070        | HCPK4        | CC4-3-7070   | HCPK3                |
| 70   | 50   | 115P10              | CC4-4-7050        | HCPK4        | CC4-3-7050   | HCPK3                |
| 70   | 35   | 115P10              | CC4-4-7035        | HCPK4        | CC4-3-7035   | HCPK3                |
| 70   | 25   | 115P10              | CC4-4-7025        | HCPK4        | CC4-3-7025   | HCPK3                |
| 95   | 95   | 150P10              | CC4-4-9595        | HCPK4        | —            | —                    |
| 95   | 70   | 150P10              | CC4-4-9570        | HCPK4        | —            | —                    |
| 95   | 50   | 115P10              | CC4-4-9550        | HCPK4        | —            | —                    |
| 95   | 35   | 115P10              | CC4-4-9535        | HCPK4        | —            | —                    |
| 120  | 120  | 200P10              | CC4-4-120120      | HCPK4        | —            | —                    |
| 120  | 95   | 200P10              | CC4-4-12095       | HCPK4        | —            | —                    |
| 120  | 70   | 150P10              | CC4-4-12070       | HCPK4        | —            | —                    |
| 120  | 50   | 150P10              | CC4-4-12050       | HCPK4        | —            | —                    |
| 150  | 150  | 250P10              | CC4-4-150150      | HCPK4        | —            | —                    |
| 150  | 120  | 250P10              | CC4-4-150120      | HCPK4        | —            | —                    |
| 150  | 95   | 200P10              | CC4-4-15095       | HCPK4        | —            | —                    |
| 150  | 70   | 150P10              | CC4-4-15070       | HCPK4        | —            | —                    |
| 185  | 185  | 2 x 150P10          | CC4-4-185185      | HCPK4        | —            | —                    |
| 185  | 150  | 250P10              | CC4-4-185150      | HCPK4        | —            | —                    |
| 185  | 120  | 250P10              | CC4-4-185120      | HCPK4        | —            | —                    |
| 185  | 95   | 200P10              | CC4-4-18595       | HCPK4        | —            | —                    |
| 185  | 70   | 200P10              | CC4-4-18570       | HCPK4        | —            | —                    |
| 240  | 240  | 2 x 250P10          | CC4-5-240240      | HCPK5        | —            | —                    |
| 240  | 185  | 2 x 200P10          | CC4-5-240185      | HCPK5        | —            | —                    |
| 240  | 150  | 2 x 200P10          | CC4-5-240150      | HCPK5        | —            | —                    |
| 240  | 120  | 2 x 150P10          | CC4-5-240120      | HCPK5        | —            | —                    |
| 300  | 300  | 3 x 200P10          | CC4-5-300300      | HCPK5        | —            | —                    |

Special moulds for all FurseWELD products can be manufactured to meet specific customer applications on request

\*4 x S103 Sleeve required when joining conductors 16 mm<sup>2</sup> or smaller

# FurseWELD

## Cable to cable CC6



Cable to cable CC6 - FurseWELD

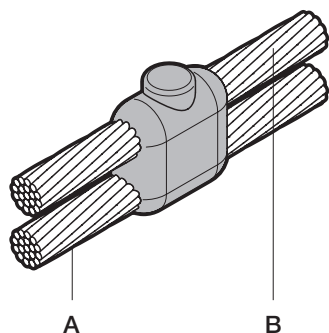
| Stranded /<br>solid circular<br>conductor size A<br>(mm <sup>2</sup> ) | Stranded<br>solid circular<br>conductor size B<br>(mm <sup>2</sup> ) | Part no.            |                   |              |             |                      |
|--|--|---------------------|-------------------|--------------|-------------|----------------------|
|  |  | Powder<br>cartridge | Standard<br>mould | Handle clamp | Mini mould  | Mini<br>handle clamp |
| 16 *   | 16 *   | 65P10               | CC6-4-1616        | HCPK4        | CC6-3-1616  | HCPK3                |
| 25   | 25   | 45P10               | CC6-4-2525        | HCPK4        | CC6-3-2525  | HCPK3                |
| 35   | 35   | 65P10               | CC6-4-3535        | HCPK4        | CC6-3-3535  | HCPK3                |
| 35   | 25   | 65P10               | CC6-4-3525        | HCPK4        | CC6-3-3525  | HCPK3                |
| 50   | 50   | 90P10               | CC6-4-5050        | HCPK4        | CC6-3-5050  | HCPK3                |
| 50   | 35   | 65P10               | CC6-4-5035        | HCPK4        | CC6-3-5035  | HCPK3                |
| 50   | 25   | 65P10               | CC6-4-5025        | HCPK4        | CC6-3-5025  | HCPK3                |
| 70   | 70   | 115P10              | CC6-4-7070        | HCPK4        | CC6-3-7070  | HCPK3                |
| 70   | 50   | 115P10              | CC6-4-7050        | HCPK4        | CC6-3-7050  | HCPK3                |
| 70   | 35   | 90P10               | CC6-4-7035        | HCPK4        | CC6-3-7035  | HCPK3                |
| 70   | 25   | 90P10               | CC6-4-7025        | HCPK4        | CC6-3-7025  | HCPK3                |
| 95   | 95   | 150P10              | CC6-4-9595        | HCPK4        | —           | —                    |
| 95   | 70   | 115P10              | CC6-4-9570        | HCPK4        | CC6-3-9570  | HCPK3                |
| 95   | 50   | 115P10              | CC6-4-9550        | HCPK4        | CC6-3-9550  | HCPK3                |
| 95   | 35   | 115P10              | CC6-4-9535        | HCPK4        | CC6-3-9535  | HCPK3                |
| 120  | 120  | 200P10              | CC6-4-120120      | HCPK4        | —           | —                    |
| 120  | 95   | 200P10              | CC6-4-12095       | HCPK4        | —           | —                    |
| 120  | 70   | 150P10              | CC6-4-12070       | HCPK4        | —           | —                    |
| 120  | 50   | 115P10              | CC6-4-12050       | HCPK4        | CC6-3-12050 | HCPK3                |

Special moulds for all FurseWELD products can be manufactured to meet specific customer applications on request

\*3 x S103 Sleeve required when joining conductors 16 mm<sup>2</sup> or smaller

# FurseWELD

## Cable to cable CC7



Cable to cable CC7 - FurseWELD

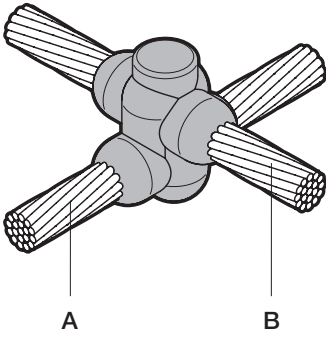
| Stranded /<br>solid circular<br>conductor size A<br>(mm <sup>2</sup> ) | Stranded<br>solid circular<br>conductor size B<br>(mm <sup>2</sup> ) | Part no.            |                   |              |              |                      |
|--|--|---------------------|-------------------|--------------|--------------|----------------------|
|  |  | Powder<br>cartridge | Standard<br>mould | Handle clamp | Mini mould   | Mini<br>handle clamp |
| 16 *   | 16 *   | 65P10               | CC7-4-1616        | HCPK4        | CC7-3-1616   | HCPK3                |
| 25   | 25   | 45P10               | CC7-4-2525        | HCPK4        | CC7-3-2525   | HCPK3                |
| 35   | 35   | 65P10               | CC7-4-3535        | HCPK4        | CC7-3-3535   | HCPK3                |
| 35   | 25   | 65P10               | CC7-4-3525        | HCPK4        | CC7-3-3525   | HCPK3                |
| Ø 8  | Ø 8  | 90P10               | CC7-4-88SC        | HCPK4        | CC7-3-88SC   | HCPK3                |
| 50   | 50   | 90P10               | CC7-4-5050        | HCPK4        | CC7-3-5050   | HCPK3                |
| 50   | 35   | 90P10               | CC7-4-5035        | HCPK4        | CC7-3-5035   | HCPK3                |
| 50   | 25   | 65P10               | CC7-4-5025        | HCPK4        | CC7-3-5025   | HCPK3                |
| Ø 10   | Ø 10   | 115P10              | CC7-4-1010SC      | HCPK4        | CC7-3-1010SC | HCPK3                |
| 70   | 70   | 115P10              | CC7-4-7070        | HCPK4        | CC7-3-7070   | HCPK3                |
| 70   | 50   | 115P10              | CC7-4-7050        | HCPK4        | CC7-3-7050   | HCPK3                |
| 70   | 35   | 90P10               | CC7-4-7035        | HCPK4        | CC7-3-7035   | HCPK3                |
| 70   | 25   | 90P10               | CC7-4-7025        | HCPK4        | CC7-3-7025   | HCPK3                |
| 95   | 95   | 150P10              | CC7-4-9595        | HCPK4        | —            | —                    |
| 95   | 70   | 115P10              | CC7-4-9570        | HCPK4        | CC7-3-9570   | HCPK3                |
| 95   | 50   | 115P10              | CC7-4-9550        | HCPK4        | CC7-3-9550   | HCPK3                |
| 95   | 35   | 115P10              | CC7-4-9535        | HCPK4        | CC7-3-9535   | HCPK3                |
| 120  | 120  | 200P10              | CC7-4-120120      | HCPK4        | —            | —                    |
| 120  | 95   | 200P10              | CC7-4-12095       | HCPK4        | —            | —                    |
| 120  | 70   | 150P10              | CC7-4-12070       | HCPK4        | —            | —                    |
| 120  | 50   | 150P10              | CC7-4-12050       | HCPK4        | —            | —                    |
| 150  | 150  | 2 x 150P10          | CC7-5-150150      | HCPK5        | —            | —                    |
| 150  | 120  | 250P10              | CC7-4-150120      | HCPK4        | —            | —                    |
| 150  | 95   | 200P10              | CC7-4-15095       | HCPK4        | —            | —                    |
| 150  | 70   | 150P10              | CC7-4-15070       | HCPK4        | —            | —                    |
| 185  | 185  | 2 x 150P10          | CC7-5-185185      | HCPK5        | —            | —                    |
| 185  | 150  | 2 x 150P10          | CC7-5-185150      | HCPK5        | —            | —                    |
| 185  | 120  | 250P10              | CC7-4-185120      | HCPK4        | —            | —                    |
| 185  | 95   | 200P10              | CC7-4-18595       | HCPK4        | —            | —                    |
| 240  | 240  | 2 x 200P10          | CC7-5-240240      | HCPK5        | —            | —                    |
| 240  | 185  | 2 x 200P10          | CC7-5-240185      | HCPK5        | —            | —                    |
| 240  | 150  | 2 x 150P10          | CC7-5-240150      | HCPK5        | —            | —                    |
| 240  | 120  | 250P10              | CC7-4-240120      | HCPK4        | —            | —                    |
| 300  | 300  | 2 x 250P10          | CC7-5-300300      | HCPK5        | —            | —                    |
| 300  | 240  | 2 x 250P10          | CC7-5-300240      | HCPK5        | —            | —                    |
| 300  | 185  | 2 x 200P10          | CC7-5-300185      | HCPK5        | —            | —                    |
| 300  | 150  | 2 x 150P10          | CC7-5-300150      | HCPK5        | —            | —                    |

Special moulds for all FurseWELD products can be manufactured to meet specific customer applications on request

\*4 x S103 Sleeve required when joining conductors 16 mm<sup>2</sup> or smaller

# FurseWELD

## Cable to cable CC11



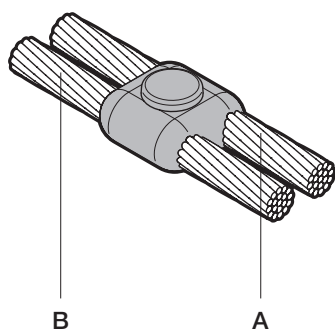
Cable to cable CC11 - FurseWELD

| Stranded /<br>solid circular<br>conductor size A<br>(mm <sup>2</sup> ) | Stranded /<br>solid circular<br>conductor size B<br>(mm <sup>2</sup> ) | Part no.            |                   |              |
|--|--|---------------------|-------------------|--------------|
|  |  | Powder<br>cartridge | Standard<br>mould | Handle clamp |
| 50   | 50   | 150P10              | CC11-7-5050       | HCPK7        |
| 70   | 70   | 200P10              | CC11-7-7070       | HCPK7        |
| 95   | 95   | 250P10              | CC11-7-9595       | HCPK7        |
| 120  | 120  | 2 x 150P10          | CC11-7-120120     | HCPK7        |
| 150  | 150  | 2 x 200P10          | CC11-8-150150     | HCPK8        |
| 185  | 185  | 2 x 250P10          | CC11-8-185185     | HCPK8        |
| 240  | 240  | 3 x 200P10          | CC11-8-240240     | HCPK8        |
| 300  | 300  | 3 x 250P10          | CC11-8-300300     | HCPK8        |
| Ø 8  | Ø 8  | 150P10              | CC11-7-8SC8SC     | HCPK7        |
| Ø 10   | Ø 10   | 150P10              | CC11-7-1010SC     | HCPK7        |

Special moulds for all FurseWELD products can be manufactured to meet specific customer applications on request

# FurseWELD

## Cable to cable CC14



Cable to cable CC14 - FurseWELD

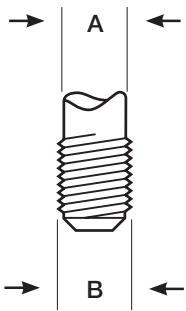
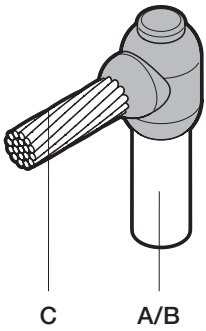
| Stranded /<br>solid circular<br>conductor size A<br>(mm <sup>2</sup> ) | Stranded /<br>solid circular<br>conductor size B<br>(mm <sup>2</sup> ) | Part no.            |                   |              |               |                      |
|--|--|---------------------|-------------------|--------------|---------------|----------------------|
|  |  | Powder<br>cartridge | Standard<br>mould | Handle clamp | Mini mould    | Mini<br>handle clamp |
| 16 *   | 16 *   | 65P10               | CC14-4-1616       | HCPK4        | CC14-3-1616   | HCPK3                |
| 25   | 25   | 45P10               | CC14-4-2525       | HCPK4        | CC14-3-2525   | HCPK3                |
| 35   | 35   | 65P10               | CC14-4-3535       | HCPK4        | CC14-3-3535   | HCPK3                |
| 35   | 25   | 65P10               | CC14-4-3525       | HCPK4        | CC14-3-3525   | HCPK3                |
| Ø 8  | Ø 8  | 90P10               | CC14-4-88SC       | HCPK4        | CC14-3-88SC   | HCPK3                |
| 50   | 50   | 90P10               | CC14-4-5050       | HCPK4        | CC14-3-5050   | HCPK3                |
| 50   | 35   | 90P10               | CC14-4-5035       | HCPK4        | CC14-3-5035   | HCPK3                |
| 50   | 25   | 90P10               | CC14-4-5025       | HCPK4        | CC14-3-5025   | HCPK3                |
| Ø 10   | Ø 10   | 115P10              | CC14-4-1010SC     | HCPK4        | CC14-3-1010SC | HCPK3                |
| 70   | 70   | 115P10              | CC14-4-7070       | HCPK4        | CC14-3-7070   | HCPK3                |
| 70   | 50   | 115P10              | CC14-4-7050       | HCPK4        | CC14-3-7050   | HCPK3                |
| 70   | 35   | 90P10               | CC14-4-7035       | HCPK4        | CC14-3-7035   | HCPK3                |
| 70   | 25   | 90P10               | CC14-4-7025       | HCPK4        | CC14-3-7025   | HCPK3                |
| 95   | 95   | 150P10              | CC14-4-9595       | HCPK4        | —             | —                    |
| 95   | 70   | 150P10              | CC14-4-9570       | HCPK4        | —             | —                    |
| 95   | 50   | 150P10              | CC14-4-9550       | HCPK4        | —             | —                    |
| 95   | 35   | 115P10              | CC14-4-9535       | HCPK4        | CC14-3-9535   | HCPK3                |
| 120  | 120  | 200P10              | CC14-4-120120     | HCPK4        | —             | —                    |
| 120  | 95   | 200P10              | CC14-4-12095      | HCPK4        | —             | —                    |
| 120  | 70   | 200P10              | CC14-4-12070      | HCPK4        | —             | —                    |
| 120  | 50   | 150P10              | CC14-4-12050      | HCPK4        | —             | —                    |

Special moulds for all FurseWELD products can be manufactured to meet specific customer applications on request  
 \*4 x S103 Sleeve required when joining conductors 16 mm<sup>2</sup> or smaller



# FurseWELD

## Cable to earth rod CR1



Cable to earth rod CR1 - FurseWELD

| Earth rod A ø (mm) | Earth rod B ø (") | Stranded/<br>solid circular<br>conductor size C<br>(mm <sup>2</sup> ) | Part no.            |                   |              |              |                      |
|--------------------|-------------------|---|---------------------|-------------------|--------------|--------------|----------------------|
|                    |                   |   | Powder<br>cartridge | Standard<br>mould | Handle clamp | Mini mould   | Mini<br>handle clamp |
| 12.7               | ½                 | 16 *  | 65P10               | CR1-4-12716       | HCPK4        | CR1-3-12716  | HCPK3                |
| 12.7               | ½                 | 25  | 65P10               | CR1-4-12725       | HCPK4        | CR1-3-12725  | HCPK3                |
| 12.7               | ½                 | 35  | 65P10               | CR1-4-12735       | HCPK4        | CR1-3-12735  | HCPK3                |
| 12.7               | ½                 | 50  | 65P10               | CR1-4-12750       | HCPK4        | CR1-3-12750  | HCPK3                |
| 12.7               | ½                 | Ø 8   | 65P10               | CR1-4-1278SC      | HCPK4        | CR1-3-1278SC | HCPK3                |
| 12.7               | ½                 | 70  | 90P10               | CR1-4-12770       | HCPK4        | CR1-3-12770  | HCPK3                |
| 12.7               | ½                 | 95  | 90P10               | CR1-4-12795       | HCPK4        | CR1-3-12795  | HCPK3                |
| 12.7               | ½                 | 120   | 90P10               | CR1-4-127120      | HCPK4        | CR1-3-127120 | HCPK3                |
| 14.2               | ¾                 | 16 *  | 65P10               | CR1-4-14216       | HCPK4        | CR1-3-14216  | HCPK3                |
| 14.2               | ¾                 | 25  | 65P10               | CR1-4-14225       | HCPK4        | CR1-3-14225  | HCPK3                |
| 14.2               | ¾                 | 35  | 65P10               | CR1-4-14235       | HCPK4        | CR1-3-14235  | HCPK3                |
| 14.2               | ¾                 | 50  | 90P10               | CR1-4-14250       | HCPK4        | CR1-3-14250  | HCPK3                |
| 14.2               | ¾                 | Ø 8   | 90P10               | CR1-4-1428SC      | HCPK4        | CR1-3-1428SC | HCPK3                |
| 14.2               | ¾                 | 70  | 90P10               | CR1-4-14270       | HCPK4        | CR1-3-14270  | HCPK3                |
| 14.2               | ¾                 | 95  | 90P10               | CR1-4-14295       | HCPK4        | CR1-3-14295  | HCPK3                |
| 14.2               | ¾                 | 120   | 90P10               | CR1-4-142120      | HCPK4        | CR1-3-142120 | HCPK3                |
| 14.2               | ¾                 | 150   | 115P10              | CR1-4-142150      | HCPK4        | CR1-3-142150 | HCPK3                |
| 14.2               | ¾                 | 185   | 115P10              | CR1-4-142185      | HCPK4        | CR1-3-142185 | HCPK3                |
| 14.2               | ¾                 | 240   | 150P10              | CR1-4-142240      | HCPK4        | -            | -                    |
| 17.2               | ¾                 | 16 *  | 65P10               | CR1-4-17216       | HCPK4        | CR1-3-17216  | HCPK3                |
| 17.2               | ¾                 | 25  | 65P10               | CR1-4-17225       | HCPK4        | CR1-3-17225  | HCPK3                |
| 17.2               | ¾                 | 35  | 65P10               | CR1-4-17235       | HCPK4        | CR1-3-17235  | HCPK3                |
| 17.2               | ¾                 | 50  | 90P10               | CR1-4-17250       | HCPK4        | CR1-3-17250  | HCPK3                |
| 17.2               | ¾                 | Ø 8   | 90P10               | CR1-4-1728SC      | HCPK4        | CR1-3-1728SC | HCPK3                |
| 17.2               | ¾                 | 70  | 90P10               | CR1-4-17270       | HCPK4        | CR1-3-17270  | HCPK3                |
| 17.2               | ¾                 | 95  | 90P10               | CR1-4-17295       | HCPK4        | CR1-3-17295  | HCPK3                |
| 17.2               | ¾                 | 120   | 90P10               | CR1-4-172120      | HCPK4        | CR1-3-172120 | HCPK3                |
| 17.2               | ¾                 | 150   | 115P10              | CR1-4-172150      | HCPK4        | CR1-3-172150 | HCPK3                |
| 17.2               | ¾                 | 185   | 115P10              | CR1-4-172185      | HCPK4        | CR1-3-172185 | HCPK3                |
| 17.2               | ¾                 | 240   | 150P10              | CR1-4-172240      | HCPK4        | -            | -                    |
| 17.2               | ¾                 | 300   | 200P10              | CR1-4-172300      | HCPK4        | -            | -                    |

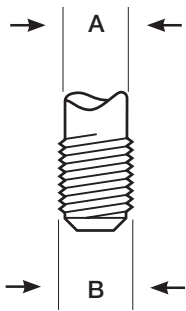
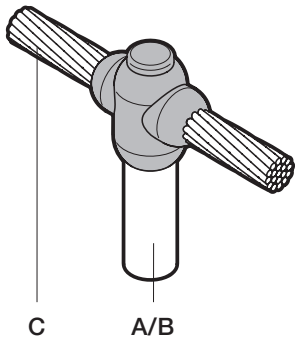
Suitable for connections to copperbond rods - for connections to solid copper and stainless steel rods please contact our sales office  
Threaded portion of copperbond rods must be removed prior to welding

Special moulds for all FurseWELD products can be manufactured to meet specific customer applications on request

\*1 x S103 Sleeve required when joining conductors 16 mm<sup>2</sup> or smaller

# FurseWELD

## Cable to earth rod CR2



Cable to earth rod CR2 - FurseWELD

| Earth rod<br>A Ø (mm) | Earth rod<br>B Ø (") | Stranded/<br>solid circular<br>conductor size C<br>(mm <sup>2</sup> ) | Part no.            |                   |              |              |                      |
|-----------------------|----------------------|---|---------------------|-------------------|--------------|--------------|----------------------|
|                       |                      |   | Powder<br>cartridge | Standard<br>mould | Handle clamp | Mini mould   | Mini<br>handle clamp |
| 12.7                  | ½                    | 16 *  | 90P10               | CR2-4-12716       | HCPK4        | CR2-3-12716  | HCPK3                |
| 12.7                  | ½                    | 25  | 90P10               | CR2-4-12725       | HCPK4        | CR2-3-12725  | HCPK3                |
| 12.7                  | ½                    | 35  | 90P10               | CR2-4-12735       | HCPK4        | CR2-3-12735  | HCPK3                |
| 12.7                  | ½                    | 50  | 90P10               | CR2-4-12750       | HCPK4        | CR2-3-12750  | HCPK3                |
| 12.7                  | ½                    | Ø 8   | 90P10               | CR2-4-1278SC      | HCPK4        | CR2-3-1278SC | HCPK3                |
| 12.7                  | ½                    | 70  | 90P10               | CR2-4-12770       | HCPK4        | CR2-3-12770  | HCPK3                |
| 12.7                  | ½                    | 95  | 115P10              | CR2-4-12795       | HCPK4        | CR2-3-12795  | HCPK3                |
| 12.7                  | ½                    | 120   | 150P10              | CR2-4-127120      | HCPK4        | -            | -                    |
| 14.2                  | ¾                    | 16 *  | 90P10               | CR2-4-14216       | HCPK4        | CR2-3-14216  | HCPK3                |
| 14.2                  | ¾                    | 25  | 90P10               | CR2-4-14225       | HCPK4        | CR2-3-14225  | HCPK3                |
| 14.2                  | ¾                    | 35  | 90P10               | CR2-4-14235       | HCPK4        | CR2-3-14235  | HCPK3                |
| 14.2                  | ¾                    | 50  | 90P10               | CR2-4-14250       | HCPK4        | CR2-3-14250  | HCPK3                |
| 14.2                  | ¾                    | Ø 8   | 90P10               | CR2-4-1428SC      | HCPK4        | CR2-3-1428SC | HCPK3                |
| 14.2                  | ¾                    | 70  | 115P10              | CR2-4-14270       | HCPK4        | CR2-3-14270  | HCPK3                |
| 14.2                  | ¾                    | 95  | 115P10              | CR2-4-14295       | HCPK4        | CR2-3-14295  | HCPK3                |
| 14.2                  | ¾                    | 120   | 150P10              | CR2-4-142120      | HCPK4        | -            | -                    |
| 14.2                  | ¾                    | 150   | 200P10              | CR2-4-142150      | HCPK4        | -            | -                    |
| 14.2                  | ¾                    | 185   | 200P10              | CR2-4-142185      | HCPK4        | -            | -                    |
| 14.2                  | ¾                    | 240   | 250P10              | CR2-4-142240      | HCPK4        | -            | -                    |
| 17.2                  | ¾                    | 16 *  | 90P10               | CR2-4-17216       | HCPK4        | CR2-3-17216  | HCPK3                |
| 17.2                  | ¾                    | 25  | 90P10               | CR2-4-17225       | HCPK4        | CR2-3-17225  | HCPK3                |
| 17.2                  | ¾                    | 35  | 90P10               | CR2-4-17235       | HCPK4        | CR2-3-17235  | HCPK3                |
| 17.2                  | ¾                    | 50  | 115P10              | CR2-4-17250       | HCPK4        | CR2-3-17250  | HCPK3                |
| 17.2                  | ¾                    | Ø 8   | 115P10              | CR2-4-1728SC      | HCPK4        | CR2-3-1728SC | HCPK3                |
| 17.2                  | ¾                    | 70  | 115P10              | CR2-4-17270       | HCPK4        | CR2-3-17270  | HCPK3                |
| 17.2                  | ¾                    | 95  | 115P10              | CR2-4-17295       | HCPK4        | CR2-3-17295  | HCPK3                |
| 17.2                  | ¾                    | 120   | 150P10              | CR2-4-172120      | HCPK4        | -            | -                    |
| 17.2                  | ¾                    | 150   | 200P10              | CR2-4-172150      | HCPK4        | -            | -                    |
| 17.2                  | ¾                    | 185   | 200P10              | CR2-4-172185      | HCPK4        | -            | -                    |
| 17.2                  | ¾                    | 240   | 250P10              | CR2-4-172240      | HCPK4        | -            | -                    |
| 17.2                  | ¾                    | 300   | 2 x 150P10          | CR2-5-172300      | HCPK5        | -            | -                    |

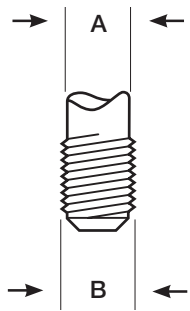
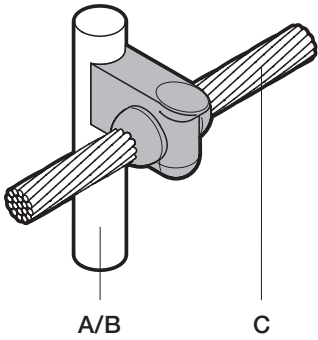
Suitable for connections to copperbond rods - for connections to solid copper and stainless steel rods please contact our sales office  
Threaded portion of copperbond rods must be removed prior to welding

Special moulds for all FurseWELD products can be manufactured to meet specific customer applications on request

\*2 x S103 Sleeve required when joining conductors 16 mm<sup>2</sup> or smaller

# FurseWELD

## Cable to earth rod CR3



Cable to earth rod CR3 - FurseWELD

| Earth rod A ø (mm) | Earth rod B ø (") | Stranded/ solid circular conductor size C (mm <sup>2</sup> ) | Part no.         |                |              |
|--------------------|-------------------|--|------------------|----------------|--------------|
|                    |                   |  | Powder cartridge | Standard mould | Handle clamp |
| 12.7               | ½                 | 16 *   | 90P10            | CR3-9-12716    | HCPK4        |
| 12.7               | ½                 | 25   | 90P10            | CR3-9-12725    | HCPK4        |
| 12.7               | ½                 | 35   | 90P10            | CR3-9-12735    | HCPK4        |
| 12.7               | ½                 | 50   | 115P10           | CR3-9-12750    | HCPK4        |
| 12.7               | ½                 | Ø 8  | 115P10           | CR3-9-1278SC   | HCPK4        |
| 12.7               | ½                 | 70   | 115P10           | CR3-9-12770    | HCPK4        |
| 12.7               | ½                 | 95   | 115P10           | CR3-9-12795    | HCPK4        |
| 12.7               | ½                 | 120  | 150P10           | CR3-9-127120   | HCPK4        |
| 14.2               | ¾                 | 16 *   | 90P10            | CR3-9-14216    | HCPK4        |
| 14.2               | ¾                 | 25   | 90P10            | CR3-9-14225    | HCPK4        |
| 14.2               | ¾                 | 35   | 90P10            | CR3-9-14235    | HCPK4        |
| 14.2               | ¾                 | 50   | 115P10           | CR3-9-14250    | HCPK4        |
| 14.2               | ¾                 | Ø 8  | 115P10           | CR3-9-1428SC   | HCPK4        |
| 14.2               | ¾                 | 70   | 115P10           | CR3-9-14270    | HCPK4        |
| 14.2               | ¾                 | 95   | 115P10           | CR3-9-14295    | HCPK4        |
| 14.2               | ¾                 | 120  | 150P10           | CR3-9-142120   | HCPK4        |
| 14.2               | ¾                 | 150  | 150P10           | CR3-9-142150   | HCPK4        |
| 14.2               | ¾                 | 185  | 200P10           | CR3-9-142185   | HCPK4        |
| 14.2               | ¾                 | 240  | 2 x 200P10       | CR3-10-142240  | HCPK5        |
| 17.2               | ¾                 | 16 *   | 90P10            | CR3-9-17216    | HCPK4        |
| 17.2               | ¾                 | 25   | 90P10            | CR3-9-17225    | HCPK4        |
| 17.2               | ¾                 | 35   | 90P10            | CR3-9-17235    | HCPK4        |
| 17.2               | ¾                 | 50   | 115P10           | CR3-9-17250    | HCPK4        |
| 17.2               | ¾                 | Ø 8  | 115P10           | CR3-9-1728SC   | HCPK4        |
| 17.2               | ¾                 | 70   | 150P10           | CR3-9-17270    | HCPK4        |
| 17.2               | ¾                 | 95   | 150P10           | CR3-9-17295    | HCPK4        |
| 17.2               | ¾                 | 120  | 200P10           | CR3-9-172120   | HCPK4        |
| 17.2               | ¾                 | 150  | 250P10           | CR3-9-172150   | HCPK4        |
| 17.2               | ¾                 | 185  | 2 x 200P10       | CR3-10-172185  | HCPK5        |
| 17.2               | ¾                 | 240  | 2 x 250P10       | CR3-10-172240  | HCPK5        |
| 17.2               | ¾                 | 300  | 3 x 200P10       | CR3-10-172300  | HCPK5        |

Suitable for connections to copperbond rods - for connections to solid copper and stainless steel rods please contact our sales office  
Threaded portion of copperbond rods must be removed prior to welding

Special moulds for all FurseWELD products can be manufactured to meet specific customer applications on request

\*2 x S103 Sleeve required when joining conductors 16 mm<sup>2</sup> or smaller

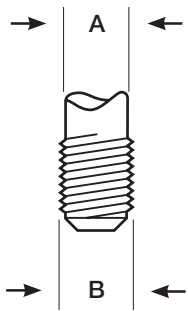
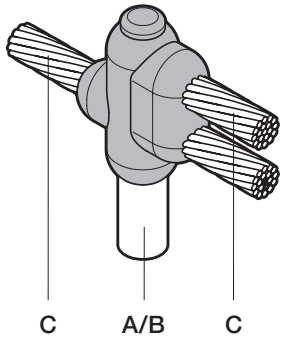
### Frames

| Part no. | Description                           |
|----------|---------------------------------------|
| F1-FU    | Frame for use with Handle Clamp HCPK4 |
| F2-FU    | Frame for use with Handle Clamp HCPK5 |

The CR3 joint type utilizes a 3 part mould. For this reason, a Frame is required in addition to the standard Handle Clamp

# FurseWELD

## Cable to earth rod CR17



Cable to earth rod CR17 - FurseWELD

| Earth rod<br>A $\phi$ (mm) | Earth rod<br>B $\phi$ (") | Stranded/<br>solid circular<br>conductor size C<br>(mm <sup>2</sup> ) | Part no.            |                   |              |               |                      |
|----------------------------|---------------------------|---|---------------------|-------------------|--------------|---------------|----------------------|
|                            |                           |   | Powder<br>cartridge | Standard<br>mould | Handle clamp | Mini mould    | Mini<br>handle clamp |
| 12.7                       | 1/2                       | 16 *  | 90P10               | CR17-4-12716      | HCPK4        | CR17-3-12716  | HCPK3                |
| 12.7                       | 1/2                       | 25  | 90P10               | CR17-4-12725      | HCPK4        | CR17-3-12725  | HCPK3                |
| 12.7                       | 1/2                       | 35  | 90P10               | CR17-4-12735      | HCPK4        | CR17-3-12735  | HCPK3                |
| 12.7                       | 1/2                       | 50  | 115P10              | CR17-4-12750      | HCPK4        | CR17-3-12750  | HCPK3                |
| 12.7                       | 1/2                       | $\emptyset$ 8   | 115P10              | CR17-4-1278SC     | HCPK4        | CR17-3-1278SC | HCPK3                |
| 12.7                       | 1/2                       | 70  | 150P10              | CR17-4-12770      | HCPK4        | -             | -                    |
| 12.7                       | 1/2                       | 95  | 200P10              | CR17-4-12795      | HCPK4        | -             | -                    |
| 12.7                       | 1/2                       | 120   | 250P10              | CR17-4-127120     | HCPK4        | -             | -                    |
| 14.2                       | 3/8                       | 16 *  | 90P10               | CR17-4-14216      | HCPK4        | CR17-3-14216  | HCPK3                |
| 14.2                       | 3/8                       | 25  | 90P10               | CR17-4-14225      | HCPK4        | CR17-3-14225  | HCPK3                |
| 14.2                       | 3/8                       | 35  | 90P10               | CR17-4-14235      | HCPK4        | CR17-3-14235  | HCPK3                |
| 14.2                       | 3/8                       | 50  | 115P10              | CR17-4-14250      | HCPK4        | CR17-3-14250  | HCPK3                |
| 14.2                       | 3/8                       | $\emptyset$ 8   | 115P10              | CR17-4-1428SC     | HCPK4        | CR17-3-1428SC | HCPK3                |
| 14.2                       | 3/8                       | 70  | 200P10              | CR17-4-14270      | HCPK4        | -             | -                    |
| 14.2                       | 3/8                       | 95  | 250P10              | CR17-4-14295      | HCPK4        | -             | -                    |
| 14.2                       | 3/8                       | 120   | 250P10              | CR17-4-142120     | HCPK4        | -             | -                    |
| 14.2                       | 3/8                       | 150   | 250P10              | CR17-4-142150     | HCPK4        | -             | -                    |
| 14.2                       | 3/8                       | 185   | 2 x 150P10          | CR17-4-142185     | HCPK4        | -             | -                    |
| 14.2                       | 3/8                       | 240   | 2 x 200P10          | CR17-5-142240     | HCPK5        | -             | -                    |
| 17.2                       | 3/4                       | 16 *  | 115P10              | CR17-4-17216      | HCPK4        | CR17-3-17216  | HCPK3                |
| 17.2                       | 3/4                       | 25  | 115P10              | CR17-4-17225      | HCPK4        | CR17-3-17225  | HCPK3                |
| 17.2                       | 3/4                       | 35  | 115P10              | CR17-4-17235      | HCPK4        | CR17-3-17235  | HCPK3                |
| 17.2                       | 3/4                       | 50  | 150P10              | CR17-4-17250      | HCPK4        | -             | -                    |
| 17.2                       | 3/4                       | $\emptyset$ 8   | 150P10              | CR17-4-1728SC     | HCPK4        | -             | -                    |
| 17.2                       | 3/4                       | 70  | 200P10              | CR17-4-17270      | HCPK4        | -             | -                    |
| 17.2                       | 3/4                       | 95  | 250P10              | CR17-4-17295      | HCPK4        | -             | -                    |
| 17.2                       | 3/4                       | 120   | 250P10              | CR17-4-172120     | HCPK4        | -             | -                    |
| 17.2                       | 3/4                       | 150   | 2 x 150P10          | CR17-4-172150     | HCPK4        | -             | -                    |
| 17.2                       | 3/4                       | 185   | 2 x 150P10          | CR17-4-172185     | HCPK4        | -             | -                    |
| 17.2                       | 3/4                       | 240   | 2 x 200P10          | CR17-4-172240     | HCPK4        | -             | -                    |
| 17.2                       | 3/4                       | 300   | 2 x 250P10          | CR17-5-172240     | HCPK5        | -             | -                    |

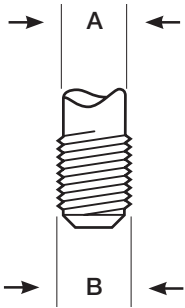
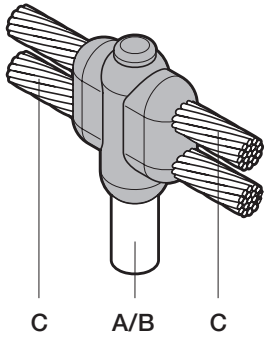
Suitable for connections to copperbond rods - for connections to solid copper and stainless steel rods please contact our sales office  
Threaded portion of copperbond rods must be removed prior to welding

Special moulds for all FurseWELD products can be manufactured to meet specific customer applications on request

\*3 x S103 Sleeve required when joining conductors 16 mm<sup>2</sup> or smaller

# FurseWELD

## Cable to earth rod CR24



Cable to earth rod CR24 - FurseWELD

| Earth rod A ø (mm) | Earth rod B ø (") | Stranded/<br>solid circular<br>conductor size C<br>(mm <sup>2</sup> ) | Part no.            |                   |              |               |                      |
|--------------------|-------------------|---|---------------------|-------------------|--------------|---------------|----------------------|
|                    |                   |   | Powder<br>cartridge | Standard<br>mould | Handle clamp | Mini mould    | Mini<br>handle clamp |
| 12.7               | ½                 | 16 *  | 90P10               | CR24-4-12716      | HCPK4        | CR24-3-12716  | HCPK3                |
| 12.7               | ½                 | 25  | 90P10               | CR24-4-12725      | HCPK4        | CR24-3-12725  | HCPK3                |
| 12.7               | ½                 | 35  | 90P10               | CR24-4-12735      | HCPK4        | CR24-3-12735  | HCPK3                |
| 12.7               | ½                 | 50  | 115P10              | CR24-4-12750      | HCPK4        | CR24-3-12750  | HCPK3                |
| 12.7               | ½                 | Ø 8   | 115P10              | CR24-4-1278SC     | HCPK4        | CR24-3-1278SC | HCPK3                |
| 12.7               | ½                 | 70  | 150P10              | CR24-4-12770      | HCPK4        | -             | -                    |
| 12.7               | ½                 | 95  | 200P10              | CR24-4-12795      | HCPK4        | -             | -                    |
| 12.7               | ½                 | 120   | 250P10              | CR24-4-127120     | HCPK4        | -             | -                    |
| 14.2               | ¾                 | 16 *  | 115P10              | CR24-4-14216      | HCPK4        | CR24-3-14216  | HCPK3                |
| 14.2               | ¾                 | 25  | 115P10              | CR24-4-14225      | HCPK4        | CR24-3-14225  | HCPK3                |
| 14.2               | ¾                 | 35  | 115P10              | CR24-4-14235      | HCPK4        | CR24-3-14235  | HCPK3                |
| 14.2               | ¾                 | 50  | 200P10              | CR24-4-14250      | HCPK4        | -             | -                    |
| 14.2               | ¾                 | Ø 8   | 200P10              | CR24-4-1428SC     | HCPK4        | -             | -                    |
| 14.2               | ¾                 | 70  | 250P10              | CR24-4-14270      | HCPK4        | -             | -                    |
| 14.2               | ¾                 | 95  | 250P10              | CR24-4-14295      | HCPK4        | -             | -                    |
| 14.2               | ¾                 | 120   | 2 x 150P10          | CR24-4-142120     | HCPK4        | -             | -                    |
| 14.2               | ¾                 | 150   | 2 x 150P10          | CR24-4-142150     | HCPK4        | -             | -                    |
| 14.2               | ¾                 | 185   | 2 x 200P10          | CR24-5-142185     | HCPK5        | -             | -                    |
| 14.2               | ¾                 | 240   | 2 x 200P10          | CR24-5-142240     | HCPK5        | -             | -                    |
| 17.2               | ¾                 | 16 *  | 115P10              | CR24-4-17216      | HCPK4        | CR24-3-17216  | HCPK3                |
| 17.2               | ¾                 | 25  | 115P10              | CR24-4-17225      | HCPK4        | CR24-3-17225  | HCPK3                |
| 17.2               | ¾                 | 35  | 115P10              | CR24-4-17235      | HCPK4        | CR24-3-17235  | HCPK3                |
| 17.2               | ¾                 | 50  | 250P10              | CR24-4-17250      | HCPK4        | -             | -                    |
| 17.2               | ¾                 | Ø 8   | 250P10              | CR24-4-1728SC     | HCPK4        | -             | -                    |
| 17.2               | ¾                 | 70  | 2 x 150P10          | CR24-4-17270      | HCPK4        | -             | -                    |
| 17.2               | ¾                 | 95  | 2 x 150P10          | CR24-4-17295      | HCPK4        | -             | -                    |
| 17.2               | ¾                 | 120   | 2 x 150P10          | CR24-4-172120     | HCPK4        | -             | -                    |
| 17.2               | ¾                 | 150   | 2 x 200P10          | CR24-5-172150     | HCPK5        | -             | -                    |
| 17.2               | ¾                 | 185   | 2 x 200P10          | CR24-5-172185     | HCPK5        | -             | -                    |
| 17.2               | ¾                 | 240   | 2 x 250P10          | CR24-5-172240     | HCPK5        | -             | -                    |
| 17.2               | ¾                 | 300   | 2 x 250P10          | CR24-5-172300     | HCPK5        | -             | -                    |

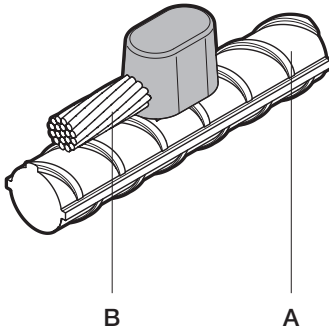
Suitable for connections to copperbond rods - for connections to solid copper and stainless steel rods please contact our sales office  
Threaded portion of copperbond rods must be removed prior to welding

Special moulds for all FurseWELD products can be manufactured to meet specific customer applications on request

\*4 x S103 Sleeve required when joining conductors 16 mm<sup>2</sup> or smaller

# FurseWELD

## Cable to reinforcing bar CRE1



Cable to reinforcing bar CRE1 - FurseWELD

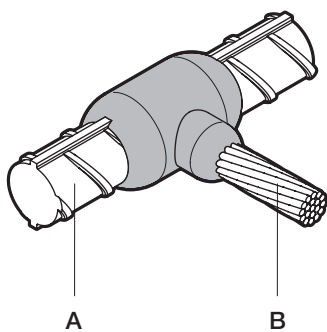
| Reinforcing bar size A<br>ø (mm <sup>2</sup> ) | Stranded/<br>solid circular<br>conductor size B<br>(mm) | Part no.            |                   |              |         |
|--|---|---------------------|-------------------|--------------|---------|
|  |   | Powder<br>cartridge | Standard<br>mould | Handle clamp | Packing |
| 10-40  | 16 *  | 45P10               | CRE1-3-16         | HCPK3-B      | PACK-A  |
| 10-40  | 25  | 45P10               | CRE1-3-25         | HCPK3-B      | PACK-A  |
| 10-40  | 35  | 45P10               | CRE1-3-35         | HCPK3-B      | PACK-A  |
| 10-40  | Ø 8   | 90P10               | CRE1-3-8SC        | HCPK3-B      | PACK-A  |
| 10-40  | 50  | 90P10               | CRE1-3-50         | HCPK3-B      | PACK-A  |
| 10-40  | Ø 10  | 90P10               | CRE1-3-10SC       | HCPK3-B      | PACK-A  |
| 10-40  | 70  | 90P10               | CRE1-3-70         | HCPK3-B      | PACK-A  |
| 10-40  | 95  | 90P10               | CRE1-3-95         | HCPK3-B      | PACK-A  |
| 10-40  | 120   | 90P10               | CRE1-3-120        | HCPK3-B      | PACK-A  |

Special moulds for all FurseWELD products can be manufactured to meet specific customer applications on request

\*1 x S103 Sleeve required when joining conductors 16 mm<sup>2</sup> or smaller

# FurseWELD

## Cable to reinforcing bar CRE2



Cable to reinforcing bar CRE2 - FurseWELD

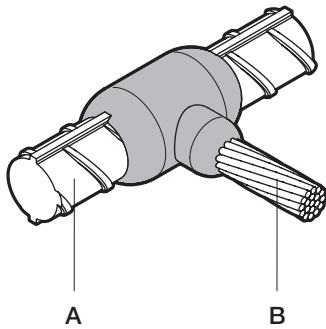
| Reinforcing bar size A<br>ø (mm) | Stranded/<br>solid circular<br>conductor size B<br>(mm <sup>2</sup> ) | Part no.            |                   |              |
|----------------------------------|---|---------------------|-------------------|--------------|
|                                  |   | Powder<br>cartridge | Standard<br>mould | Handle clamp |
| 16                               | 16 *  | 90P10               | CRE2-4-16R16      | HCPK4        |
| 16                               | 25  | 90P10               | CRE2-4-16R25      | HCPK4        |
| 16                               | 35  | 90P10               | CRE2-4-16R35      | HCPK4        |
| 16                               | Ø 8   | 115P10              | CRE2-4-16R8SC     | HCPK4        |
| 16                               | 50  | 115P10              | CRE2-4-16R50      | HCPK4        |
| 16                               | Ø 10  | 115P10              | CRE2-4-16R10SC    | HCPK4        |
| 16                               | 70  | 115P10              | CRE2-4-16R70      | HCPK4        |
| 16                               | 95  | 150P10              | CRE2-4-16R95      | HCPK4        |
| 16                               | 120   | 150P10              | CRE2-4-16R120     | HCPK4        |
| 16                               | 150   | 200P10              | CRE2-4-16R150     | HCPK4        |
| 16                               | 185   | 200P10              | CRE2-4-16R185     | HCPK4        |
| 16                               | 240   | 250P10              | CRE2-4-16R240     | HCPK4        |
| 16                               | 300   | 2 x 150P10          | CRE2-4-16R300     | HCPK4        |
| 18                               | 16 *  | 115P10              | CRE2-4-18R16      | HCPK4        |
| 18                               | 25  | 115P10              | CRE2-4-18R25      | HCPK4        |
| 18                               | 35  | 115P10              | CRE2-4-18R35      | HCPK4        |
| 18                               | Ø 8   | 150P10              | CRE2-4-18R8SC     | HCPK4        |
| 18                               | 50  | 150P10              | CRE2-4-18R50      | HCPK4        |
| 18                               | Ø 10  | 150P10              | CRE2-4-18R10SC    | HCPK4        |
| 18                               | 70  | 150P10              | CRE2-4-18R70      | HCPK4        |
| 18                               | 95  | 150P10              | CRE2-4-18R95      | HCPK4        |
| 18                               | 120   | 200P10              | CRE2-4-18R120     | HCPK4        |
| 18                               | 150   | 200P10              | CRE2-4-18R150     | HCPK4        |
| 18                               | 185   | 200P10              | CRE2-4-18R185     | HCPK4        |
| 18                               | 240   | 250P10              | CRE2-4-18R240     | HCPK4        |
| 18                               | 300   | 2 x 150P10          | CRE2-4-18R300     | HCPK4        |
| 20                               | 16 *  | 115P10              | CRE2-4-20R16      | HCPK4        |
| 20                               | 25  | 115P10              | CRE2-4-20R25      | HCPK4        |
| 20                               | 35  | 115P10              | CRE2-4-20R35      | HCPK4        |
| 20                               | Ø 8   | 150P10              | CRE2-4-20R8SC     | HCPK4        |
| 20                               | 50  | 150P10              | CRE2-4-20R50      | HCPK4        |
| 20                               | Ø 10  | 150P10              | CRE2-4-20R10SC    | HCPK4        |
| 20                               | 70  | 200P10              | CRE2-4-20R70      | HCPK4        |
| 20                               | 95  | 200P10              | CRE2-4-20R95      | HCPK4        |
| 20                               | 120   | 200P10              | CRE2-4-20R120     | HCPK4        |
| 20                               | 150   | 200P10              | CRE2-4-20R150     | HCPK4        |
| 20                               | 185   | 250P10              | CRE2-4-20R185     | HCPK4        |
| 20                               | 240   | 2 x 150P10          | CRE2-4-20R240     | HCPK4        |
| 20                               | 300   | 2 x 200P10          | CRE2-5-20R300     | HCPK5        |
| 25                               | 16 *  | 200P10              | CRE2-4-25R16      | HCPK4        |
| 25                               | 25  | 200P10              | CRE2-4-25R25      | HCPK4        |
| 25                               | 35  | 200P10              | CRE2-4-25R35      | HCPK4        |
| 25                               | Ø 8   | 200P10              | CRE2-4-25R8SC     | HCPK4        |

Special moulds for all FurseWELD products can be manufactured to meet specific customer applications on request  
 \*1 x S103 Sleeve required when joining conductors 16 mm<sup>2</sup> or smaller



# FurseWELD

## Cable to reinforcing bar CRE2 & CRE 3

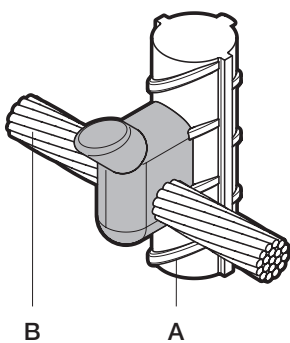


### Cable to reinforcing bar CRE2 (continued) - FurseWELD

| Reinforcing bar size A<br>ø (mm) | Stranded/<br>solid circular<br>conductor size B<br>(mm <sup>2</sup> ) | Part no.            |                   |              |
|----------------------------------|---|---------------------|-------------------|--------------|
|                                  |   | Powder<br>cartridge | Standard<br>mould | Handle clamp |
| 25                               | 50  | 200P10              | CRE2-4-25R50      | HCPK4        |
| 25                               | Ø 10  | 250P10              | CRE2-4-25R10SC    | HCPK4        |
| 25                               | 70  | 250P10              | CRE2-4-25R70      | HCPK4        |
| 25                               | 95  | 250P10              | CRE2-4-25R95      | HCPK4        |
| 25                               | 120   | 250P10              | CRE2-4-25R120     | HCPK4        |
| 25                               | 150   | 2x 150P10           | CRE2-4-25R150     | HCPK4        |
| 25                               | 185   | 2x 150P10           | CRE2-5-25R185     | HCPK5        |
| 25                               | 240   | 2x 200P10           | CRE2-5-25R240     | HCPK5        |
| 25                               | 300   | 2x 200P10           | CRE2-5-25R300     | HCPK5        |
| 30                               | 16*   | 250P10              | CRE2-4-30R16      | HCPK4        |
| 30                               | 25  | 250P10              | CRE2-4-30R25      | HCPK4        |
| 30                               | 35  | 250P10              | CRE2-4-30R35      | HCPK4        |
| 30                               | Ø 8   | 2x 150P10           | CRE2-4-30R8SC     | HCPK4        |
| 30                               | 50  | 2x 150P10           | CRE2-4-30R50      | HCPK4        |
| 30                               | Ø 10  | 2x 150P10           | CRE2-4-30R10SC    | HCPK4        |
| 30                               | 70  | 2x 150P10           | CRE2-4-30R70      | HCPK4        |
| 30                               | 95  | 2x 150P10           | CRE2-5-30R95      | HCPK5        |
| 30                               | 120   | 2x 200P10           | CRE2-5-30R120     | HCPK5        |
| 30                               | 150   | 2x 200P10           | CRE2-5-30R150     | HCPK5        |
| 30                               | 185   | 2x 250P10           | CRE2-5-30R185     | HCPK5        |
| 30                               | 240   | 3x 200P10           | CRE2-5-30R240     | HCPK5        |
| 30                               | 300   | 3x 200P10           | CRE2-5-30R300     | HCPK5        |

Special moulds for all FurseWELD products can be manufactured to meet specific customer applications on request

\*1 x S103 Sleeve required when joining conductors 16 mm<sup>2</sup> or smaller



### Cable to reinforcing bar CRE3 - FurseWELD

| Reinforcing bar size A<br>ø (mm) | Stranded/<br>solid circular<br>conductor size B<br>(mm <sup>2</sup> ) | Part no.            |                   |              |         |
|----------------------------------|---|---------------------|-------------------|--------------|---------|
|                                  |   | Powder<br>cartridge | Standard<br>mould | Handle clamp | Packing |
| 10-40                            | 16*   | 45P10               | CRE3-3-16         | HCPK3-A      | PACK-A  |
| 10-40                            | 25  | 45P10               | CRE3-3-25         | HCPK3-A      | PACK-A  |
| 10-40                            | 35  | 45P10               | CRE3-3-35         | HCPK3-A      | PACK-A  |
| 10-40                            | Ø 8   | 90P10               | CRE3-3-8SC        | HCPK3-A      | PACK-A  |
| 10-40                            | 50  | 90P10               | CRE3-3-50         | HCPK3-A      | PACK-A  |
| 10-40                            | Ø 10  | 90P10               | CRE3-3-10SC       | HCPK3-A      | PACK-A  |
| 10-40                            | 70  | 90P10               | CRE3-3-70         | HCPK3-A      | PACK-A  |
| 10-40                            | 95  | 90P10               | CRE3-3-95         | HCPK3-A      | PACK-A  |
| 10-40                            | 120   | 90P10               | CRE3-3-120        | HCPK3-A      | PACK-A  |

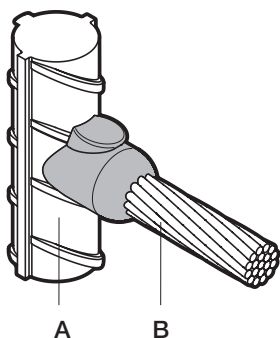
Special moulds for all FurseWELD products can be manufactured to meet specific customer applications on request

\*2 x S103 Sleeve required when joining conductors 16 mm<sup>2</sup> or smaller



# FurseWELD

## Cable to reinforcing bar CRE6 & CRE17

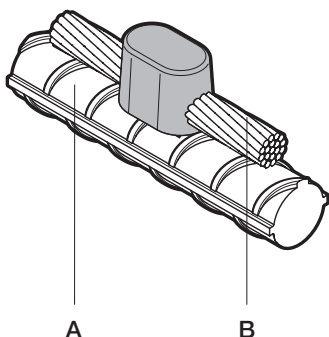


Cable to reinforcing bar CRE6 - FurseWELD

| Reinforcing bar size A<br>ø (mm) | Stranded/<br>solid circular<br>conductor size B<br>(mm <sup>2</sup> ) | Part no.            |                   |              |         |
|----------------------------------|---|---------------------|-------------------|--------------|---------|
|                                  |   | Powder<br>cartridge | Standard<br>mould | Handle clamp | Packing |
| 10-40                            | 16 *  | 45P10               | CRE6-3-16         | HCPK3-A      | PACK-A  |
| 10-40                            | 25  | 45P10               | CRE6-3-25         | HCPK3-A      | PACK-A  |
| 10-40                            | 35  | 45P10               | CRE6-3-35         | HCPK3-A      | PACK-A  |
| 10-40                            | Ø 8   | 65P10               | CRE6-3-8SC        | HCPK3-A      | PACK-A  |
| 10-40                            | 50  | 65P10               | CRE6-3-50         | HCPK3-A      | PACK-A  |
| 10-40                            | Ø 10  | 90P10               | CRE6-3-10SC       | HCPK3-A      | PACK-A  |
| 10-40                            | 70  | 90P10               | CRE6-3-70         | HCPK3-A      | PACK-A  |
| 10-40                            | 95  | 90P10               | CRE6-4-95         | HCPK3-A      | PACK-A  |
| 10-40                            | 120   | 115P10              | CRE6-4-120        | HCPK3-A      | PACK-A  |

Special moulds for all FurseWELD products can be manufactured to meet specific customer applications on request  
 \*1 x S103 Sleeve required when joining conductors 16 mm<sup>2</sup> or smaller

9



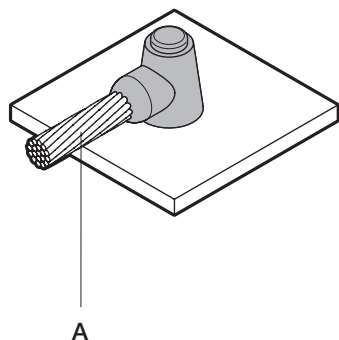
Cable to reinforcing bar CRE17 - FurseWELD

| Reinforcing bar size A<br>ø (mm) | Stranded/<br>solid circular<br>conductor size B<br>(mm <sup>2</sup> ) | Part no.            |                   |              |         |
|----------------------------------|---|---------------------|-------------------|--------------|---------|
|                                  |   | Powder<br>cartridge | Standard<br>mould | Handle clamp | Packing |
| 10-40                            | 16 *  | 45P10               | CRE17-3-16        | HCPK3-B      | PACK-A  |
| 10-40                            | 25  | 45P10               | CRE17-3-25        | HCPK3-B      | PACK-A  |
| 10-40                            | 35  | 45P10               | CRE17-3-35        | HCPK3-B      | PACK-A  |
| 10-40                            | Ø 8   | 90P10               | CRE17-3-8SC       | HCPK3-B      | PACK-A  |
| 10-40                            | 50  | 90P10               | CRE17-3-50        | HCPK3-B      | PACK-A  |
| 10-40                            | Ø 10  | 90P10               | CRE17-3-10SC      | HCPK3-B      | PACK-A  |
| 10-40                            | 70  | 90P10               | CRE17-3-70        | HCPK3-B      | PACK-A  |
| 10-40                            | 95  | 90P10               | CRE17-3-95        | HCPK3-B      | PACK-A  |
| 10-40                            | 120   | 90P10               | CRE17-3-120       | HCPK3-B      | PACK-A  |

Special moulds for all FurseWELD products can be manufactured to meet specific customer applications on request  
 \*1 x S103 Sleeve required when joining conductors 16 mm<sup>2</sup> or smaller

# FurseWELD

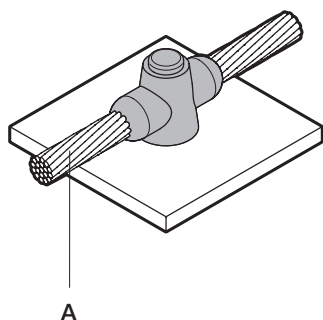
## Cable to steel surface & pipe CS1 & CS2



### Cable to steel surface & pipe CS1 - FurseWELD

| Stranded / solid circular conductor size A (mm <sup>2</sup> ) | Part no.         |                |              |
|---|------------------|----------------|--------------|
|   | Powder cartridge | Standard mould | Handle clamp |
| 16  | Use CS8          |                |              |
| 25  | Use CS8          |                |              |
| 35  | Use CS8          |                |              |
| Ø 8 mm  | 90P10            | CS1-4-8SC      | HCPK4        |
| 50  | 90P10            | CS1-4-50-FU    | HCPK4        |
| Ø 10 mm   | 90P10            | CS1-4-10SC     | HCPK4        |
| 70  | 90P10            | CS1-4-70       | HCPK4        |
| 95  | 115P10           | CS1-4-95       | HCPK4        |
| 120   | 115P10           | CS1-4-120      | HCPK4        |
| 150   | 150P10           | CS1-4-150      | HCPK4        |
| 185   | 200P10           | CS1-4-185      | HCPK4        |
| 240   | 200P10           | CS1-4-240      | HCPK4        |
| 300   | 250P10           | CS1-4-300      | HCPK4        |

Special moulds for all FurseWELD products can be manufactured to meet specific customer applications on request



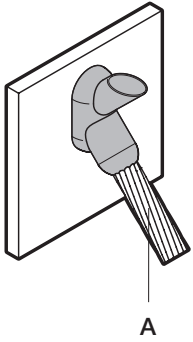
### Cable to steel surface & pipe CS2 - FurseWELD

| Stranded / solid circular conductor size A (mm <sup>2</sup> ) | Part no.         |                |              |
|---|------------------|----------------|--------------|
|   | Powder cartridge | Standard mould | Handle clamp |
| 16  | Use CS9          |                |              |
| 25  | Use CS9          |                |              |
| 35  | Use CS9          |                |              |
| Ø 8 mm  | 90P10            | CS2-4-8SC      | HCPK4        |
| 50  | 90P10            | CS2-4-50       | HCPK4        |
| Ø 10 mm   | 115P10           | CS2-4-10SC     | HCPK4        |
| 70  | 115P10           | CS2-4-70       | HCPK4        |
| 95  | 115P10           | CS2-4-95       | HCPK4        |
| 120   | 150P10           | CS2-4-120      | HCPK4        |
| 150   | 200P10           | CS2-4-150      | HCPK4        |
| 185   | 250P10           | CS2-4-185      | HCPK4        |
| 240   | 2 x 150P10       | CS2-5-240      | HCPK5        |
| 300   | 2 x 200P10       | CS2-5-300      | HCPK5        |

Special moulds for all FurseWELD products can be manufactured to meet specific customer applications on request

# FurseWELD

## Cable to steel surface & pipe CS3 & CS7



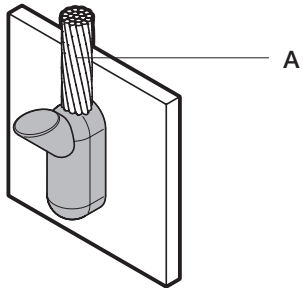
### Cable to steel surface & pipe CS3 - FurseWELD

| Stranded / solid circular conductor size A (mm <sup>2</sup> ) | Part no.         |                |              |            |                   |
|---|------------------|----------------|--------------|------------|-------------------|
|   | Powder cartridge | Standard mould | Handle clamp | Mini mould | Mini handle clamp |
| 16 *  | 45P10            | CS3-4-16       | HCPK4        | CS3-3-16   | HCPK3             |
| 25  | 45P10            | CS3-4-25       | HCPK4        | CS3-3-25   | HCPK3             |
| 35  | 45P10            | CS3-4-35       | HCPK4        | CS3-3-35   | HCPK3             |
| Ø 8   | 65P10            | CS3-4-8SC      | HCPK4        | CS3-3-8SC  | HCPK3             |
| 50  | 65P10            | CS3-4-50       | HCPK4        | CS3-3-50   | HCPK3             |
| Ø 10 m  | 90P10            | CS3-4-10SC     | HCPK4        | CS3-3-10SC | HCPK3             |
| 70  | 90P10            | CS3-4-70       | HCPK4        | CS3-3-70   | HCPK3             |
| 95  | 115P10           | CS3-4-95       | HCPK4        | CS3-3-95   | HCPK3             |
| 120   | 115P10           | CS3-4-120      | HCPK4        | CS3-3-120  | HCPK3             |
| 150   | 115P10           | CS3-4-150      | HCPK4        | CS3-3-150  | HCPK3             |
| 185   | 200P10           | CS3-4-185      | HCPK4        | —          | —                 |
| 240   | 200P10           | CS3-4-240      | HCPK4        | —          | —                 |
| 300   | 250P10           | CS3-4-300      | HCPK4        | —          | —                 |

Special moulds for all FurseWELD products can be manufactured to meet specific customer applications on request

\*1 x S103 Sleeve required when joining conductors 16 mm<sup>2</sup> or smaller

9



### Cable to steel surface & pipe CS7 - FurseWELD

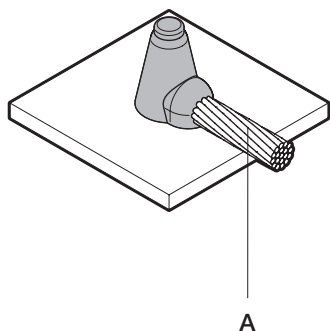
| Stranded / solid circular conductor size A (mm <sup>2</sup> ) | Part no.         |                |              |            |                   |
|---|------------------|----------------|--------------|------------|-------------------|
|   | Powder cartridge | Standard mould | Handle clamp | Mini mould | Mini handle clamp |
| 16 *  | 65P10            | CS7-4-16       | HCPK4        | CS7-3-16   | HCPK3             |
| 25  | 65P10            | CS7-4-25       | HCPK4        | CS7-3-25   | HCPK3             |
| 35  | 65P10            | CS7-4-35       | HCPK4        | CS7-3-35   | HCPK3             |
| Ø 8   | 90P10            | CS7-4-8SC      | HCPK4        | CS7-3-8SC  | HCPK3             |
| 50  | 90P10            | CS7-4-50       | HCPK4        | CS7-3-50   | HCPK3             |
| Ø 10  | 150P10           | CS7-4-10SC     | HCPK4        | —          | —                 |
| 70  | 150P10           | CS7-4-70       | HCPK4        | —          | —                 |
| 95  | 200P10           | CS7-5-95       | HCPK4        | —          | —                 |
| 120   | 200P10           | CS7-5-120      | HCPK4        | —          | —                 |
| 150   | 250P10           | CS7-5-150      | HCPK4        | —          | —                 |
| 185   | 2 x 150P10       | CS7-9-185      | HCPK4        | —          | —                 |
| 240   | 2 x 150P10       | CS7-9-240      | HCPK4        | —          | —                 |
| 300   | 2 x 200P10       | CS7-10-300     | HCPK5        | —          | —                 |

Special moulds for all FurseWELD products can be manufactured to meet specific customer applications on request

\*1 x S103 Sleeve required when joining conductors 16 mm<sup>2</sup> or smaller

# FurseWELD

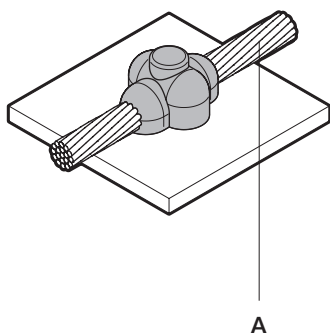
## Cable to steel surface & pipe CS8 & CS9



### Cable to steel surface & pipe CS8 - FurseWELD

| Stranded / solid circular conductor size A (mm <sup>2</sup> ) | Part no.         |                |              |
|---|------------------|----------------|--------------|
|   | Powder cartridge | Standard mould | Handle clamp |
| 16 *  | 45P10            | CS8-2-16       | HCPK2        |
| 25  | 45P10            | CS8-2-25       | HCPK2        |
| 35  | 45P10            | CS8-2-35       | HCPK2        |
| Ø 8   | 45P10            | CS8-2-8SC      | HCPK2        |
| 50  | 45P10            | CS8-2-50       | HCPK2        |
| Ø 10  | 65P10            | CS8-2-10SC     | HCPK2        |
| 70  | 65P10            | CS8-2-70       | HCPK2        |
| 95  | 90P10            | CS8-2-95       | HCPK2        |
| 120   | 115P10           | CS8-4-120      | HCPK4        |
| 150   | 150P10           | CS8-4-150      | HCPK4        |
| 185   | 200P10           | CS8-4-185      | HCPK4        |
| 240   | 200P10           | CS8-4-240      | HCPK4        |
| 300   | 250P10           | CS8-4-300      | HCPK4        |

Special moulds for all FurseWELD products can be manufactured to meet specific customer applications on request  
 \*1 x S103 Sleeve required when joining conductors 16 mm<sup>2</sup> or smaller



### Cable to steel surface & pipe CS9 - FurseWELD

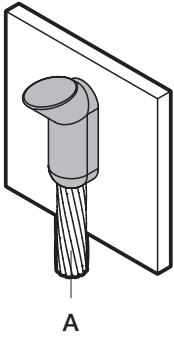
| Stranded / solid circular conductor size A (mm <sup>2</sup> ) | Part no.         |                |              |
|---|------------------|----------------|--------------|
|   | Powder cartridge | Standard mould | Handle clamp |
| 16 *  | 45P10            | CS9-4-16       | HCPK2        |
| 25  | 45P10            | CS9-4-25       | HCPK2        |
| 35  | 45P10            | CS9-4-35       | HCPK2        |
| Ø 8   | 90P10            | CS9-4-8SC      | HCPK4        |
| 50  | 90P10            | CS9-4-50       | HCPK4        |
| Ø 10  | 115P10           | CS9-4-10SC     | HCPK4        |
| 70  | 115P10           | CS9-4-70       | HCPK4        |
| 95  | 115P10           | C9-4-95        | HCPK4        |
| 120   | 150P10           | CS9-4-120      | HCPK4        |
| 150   | 200P10           | CS9-4-150      | HCPK4        |
| 185   | 250P10           | CS9-4-185      | HCPK4        |
| 240   | 2 x 150P10       | CS9-5-240      | HCPK5        |

Special moulds for all FurseWELD products can be manufactured to meet specific customer applications on request  
 \*1 x S103 Sleeve required when joining conductors 16 mm<sup>2</sup> or smaller



# FurseWELD

## Cable to steel surface & pipe CS25 & CS27



### Cable to steel surface & pipe CS25 - FurseWELD

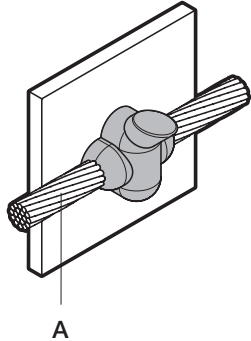
| Stranded / solid circular conductor size A (mm <sup>2</sup> ) | Part no.         |                |              |            |                   |
|---|------------------|----------------|--------------|------------|-------------------|
|   | Powder cartridge | Standard mould | Handle clamp | Mini mould | Mini handle clamp |
| 16 *  | 45P10            | CS25-4-16      | HCPK4        | CS25-3-16  | HCPK3             |
| 25  | 45P10            | CS25-4-25      | HCPK4        | CS25-3-25  | HCPK3             |
| 35  | 45P10            | CS25-4-35      | HCPK4        | CS25-3-35  | HCPK3             |
| Ø 8   | 65P10            | CS25-4-8SC     | HCPK4        | CS25-3-8SC | HCPK3             |
| 50  | 65P10            | CS25-4-50      | HCPK4        | CS25-3-50  | HCPK3             |
| Ø 10  | 90P10            | CS25-4-10SC    | HCPK4        | -          | -                 |
| 70  | 90P10            | CS25-4-70      | HCPK4        | CS25-3-70  | HCPK3             |
| 95  | 115P10           | CS25-4-95      | HCPK4        | -          | -                 |
| 120   | 115P10           | CS25-4-120     | HCPK4        | -          | -                 |
| 150   | 150P10           | CS25-4-150     | HCPK4        | -          | -                 |
| 185   | 200P10           | CS25-4-185     | HCPK4        | -          | -                 |
| 240   | 200P10           | CS25-4-240     | HCPK4        | -          | -                 |
| 300   | 250P10           | CS25-4-300     | HCPK4        | -          | -                 |

Special moulds for all FurseWELD products can be manufactured to meet specific customer applications on request

\*1 x S103 Sleeve required when joining conductors 16 mm<sup>2</sup> or smaller



9



### Cable to steel surface & pipe CS27 - FurseWELD

| Stranded / solid circular conductor size A (mm <sup>2</sup> ) | Part no.         |                |              |
|---|------------------|----------------|--------------|
|   | Powder cartridge | Standard mould | Handle clamp |
| 16 *  | 45P10            | CS27-4-16      | HCPK4        |
| 25  | 45P10            | CS27-4-25      | HCPK4        |
| 35  | 45P10            | CS27-4-35      | HCPK4        |
| Ø 8   | 65P10            | CS27-4-8SC     | HCPK4        |
| 50  | 65P10            | CS27-4-50      | HCPK4        |
| Ø 10  | 115P10           | CS27-4-10SC    | HCPK4        |
| 70  | 115P10           | CS27-4-70      | HCPK4        |
| 95  | 150P10           | CS27-4-95      | HCPK4        |
| 120   | 150P10           | CS27-4-120     | HCPK4        |
| 150   | 200P10           | CS27-5-150     | HCPK5        |
| 185   | 250P10           | CS27-5-185     | HCPK5        |
| 240   | 2 x 150P10       | CS27-5-240     | HCPK5        |
| 300   | 2 x 200P10       | CS27-5-300     | HCPK5        |

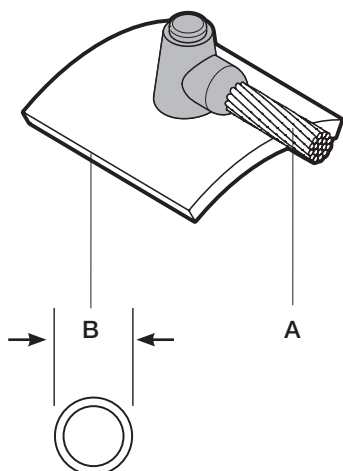
Special moulds for all FurseWELD products can be manufactured to meet specific customer applications on request

\*1 x S103 Sleeve required when joining conductors 16 mm<sup>2</sup> or smaller



# FurseWELD

## Cable to steel surface & pipe CS32



Cable to steel surface & pipe CS32 - FurseWELD

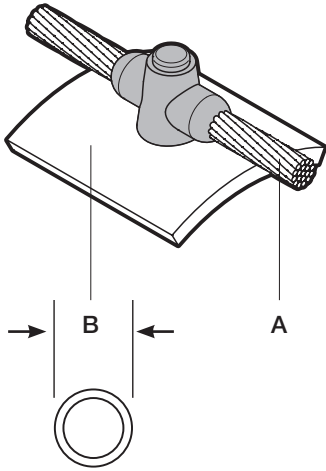
| Stranded conductor size A (mm <sup>2</sup> ) | Pipe size B ø (mm) | Part no.         |                |              |          |
|--|--------------------|------------------|----------------|--------------|----------|
|  |                    | Powder cartridge | Standard mould | Handle clamp | Sleeve   |
| 2.5  | < 125              | 15P10            | CS32-1-2.5-A   | HCPK1        | 1 x S105 |
| 2.5  | > 125              | 15P10            | CS32-1-2.5-B   | HCPK1        | 1 x S105 |
| 4  | < 125              | 15P10            | CS32-1-4-A     | HCPK1        | 1 x S105 |
| 4  | > 125              | 15P10            | CS32-1-4-B     | HCPK1        | 1 x S105 |
| 6  | < 125              | 15P10            | CS32-1-6-A     | HCPK1        | 1 x S105 |
| 6  | > 125              | 15P10            | CS32-1-6-B     | HCPK1        | 1 x S105 |
| 10   | < 125              | 25P10            | CS32-1-10-A    | HCPK1        | 1 x S102 |
| 10   | > 125              | 25P10            | CS32-1-10-B    | HCPK1        | 1 x S102 |
| 16   | < 125              | 45P10            | CS32-2-16-A    | HCPK2        | 1 x S103 |
| 16   | > 125              | 45P10            | CS32-2-16-B    | HCPK2        | 1 x S103 |
| 25   | < 70               | 25P10            | CS32-1-25-C    | HCPK1        | -        |
| 25   | 70-165             | 25P10            | CS32-1-25-D    | HCPK1        | -        |
| 25   | > 165              | 25P10            | CS32-1-25-E    | HCPK1        | -        |
| 35   | < 70               | 45P10            | CS32-2-35-C    | HCPK2        | -        |
| 35   | 70-165             | 45P10            | CS32-2-35-D    | HCPK2        | -        |
| 35   | 165-250            | 45P10            | CS32-2-35-F    | HCPK2        | -        |
| 35   | > 250              | 45P10            | CS32-2-35-G    | HCPK2        | -        |
| 50   | < 70               | 45P10            | CS32-2-50-C    | HCPK2        | -        |
| 50   | 70-165             | 45P10            | CS32-2-50-D    | HCPK2        | -        |
| 50   | 165-250            | 45P10            | CS32-2-50-F    | HCPK2        | -        |
| 50   | > 250              | 45P10            | CS32-2-50-G    | HCPK2        | -        |
| 70   | < 70               | 65P10            | CS32-2-70-C    | HCPK2        | -        |
| 70   | 70-165             | 65P10            | CS32-2-70-D    | HCPK2        | -        |
| 70   | 165-250            | 65P10            | CS32-2-70-F    | HCPK2        | -        |
| 70   | > 250              | 65P10            | CS32-2-70-G    | HCPK2        | -        |

Special moulds for all FurseWELD products can be manufactured to meet specific customer applications on request



# FurseWELD

## Cable to steel surface & pipe CS34



Cable to steel surface & pipe CS34 - FurseWELD

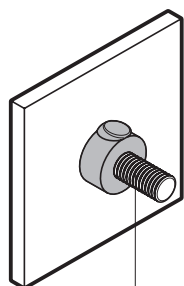
| Stranded conductor size A (mm <sup>2</sup> ) | Pipe size B ø (mm) | Part no.         |                |              |          |
|--|--------------------|------------------|----------------|--------------|----------|
|  |                    | Powder cartridge | Standard mould | Handle clamp | Sleeve   |
| 2.5  | < 125              | 15P10            | CS34-2-2.5-A   | HCPK2        | 2 x S105 |
| 2.5  | > 125              | 15P10            | CS34-2-2.5-B   | HCPK2        | 2 x S105 |
| 4  | < 125              | 15P10            | CS34-2-4-A     | HCPK2        | 2 x S105 |
| 4  | > 125              | 15P10            | CS34-2-4-B     | HCPK2        | 2 x S105 |
| 6  | < 125              | 15P10            | CS34-2-6-A     | HCPK2        | 2 x S105 |
| 6  | > 125              | 15P10            | CS34-2-6-B     | HCPK2        | 2 x S105 |
| 10   | < 125              | 32P10            | CS34-2-10-A    | HCPK2        | 2 x S102 |
| 10   | > 125              | 32P10            | CS34-2-10-B    | HCPK2        | 2 x S102 |
| 16   | < 125              | 45P10            | CS34-2-16-A    | HCPK2        | 2 x S103 |
| 16   | > 125              | 45P10            | CS34-2-16-B    | HCPK2        | 2 x S103 |
| 25   | < 70               | 32P10            | CS34-2-25-C    | HCPK2        | -        |
| 25   | 70-165             | 32P10            | CS34-2-25-D    | HCPK2        | -        |
| 25   | > 165              | 32P10            | CS34-2-25-E    | HCPK2        | -        |
| 35   | < 70               | 45P10            | CS34-2-35-C    | HCPK2        | -        |
| 35   | 70-165             | 45P10            | CS34-2-35-D    | HCPK2        | -        |
| 35   | 165-250            | 45P10            | CS34-2-35-F    | HCPK2        | -        |
| 35   | > 250              | 45P10            | CS34-2-35-G    | HCPK2        | -        |
| 50   | < 70               | 65P10            | CS34-2-50-C    | HCPK2        | -        |
| 50   | 70-165             | 65P10            | CS34-2-50-D    | HCPK2        | -        |
| 50   | 165-250            | 65P10            | CS34-2-50-F    | HCPK2        | -        |
| 50   | > 250              | 65P10            | CS34-2-50-G    | HCPK2        | -        |

Special moulds for all FurseWELD products can be manufactured to meet specific customer applications on request



# FurseWELD

## Stud to steel surface RS1 & RS2

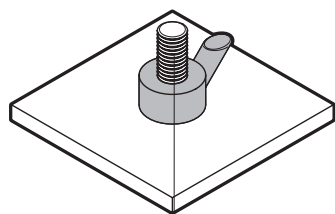


A

### Stud to steel surface RS1 - FurseWELD

| Stud size A | Part no.         |                |              |        |
|-------------|------------------|----------------|--------------|--------|
|             | Powder cartridge | Standard mould | Handle clamp | Stud   |
| M6          | 25P10            | RS1-4-M6       | HCPK4        | RSSM6  |
| M8          | 32P10            | RS1-4-M8       | HCPK4        | RSSM8  |
| M10         | 45P10            | RS1-4-M10      | HCPK4        | RSSM10 |
| M12         | 65P10            | RS1-4-M12      | HCPK4        | RSSM12 |
| M16         | 115P10           | RS1-4-M16      | HCPK4        | RSSM16 |

Special moulds for all FurseWELD products can be manufactured to meet specific customer applications on request



A

### Stud to steel surface RS2 - FurseWELD

| Stud Size A | Part no.         |                |              |        |
|-------------|------------------|----------------|--------------|--------|
|             | Powder cartridge | Standard mould | Handle clamp | Stud   |
| M6          | 25P10            | RS2-4-M6       | HCPK4        | RSSM6  |
| M8          | 32P10            | RS2-4-M8       | HCPK4        | RSSM8  |
| M10         | 45P10            | RS2-4-M10      | HCPK4        | RSSM10 |
| M12         | 65P10            | RS2-4-M12      | HCPK4        | RSSM12 |
| M16         | 115P10           | RS2-5-M16      | HCPK5        | RSSM16 |

Special moulds for all FurseWELD products can be manufactured to meet specific customer applications on request