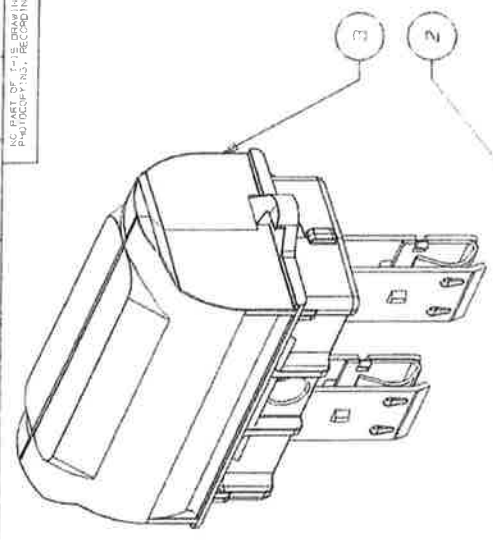
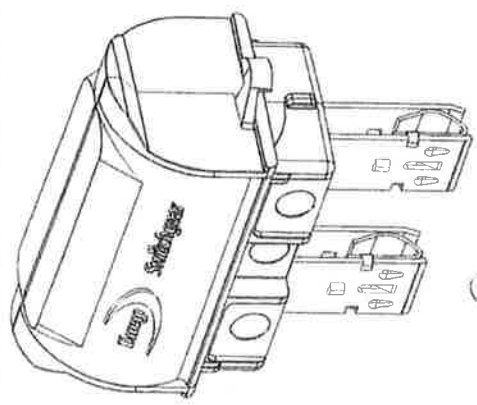
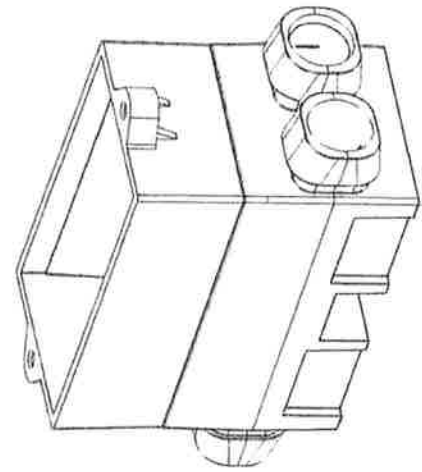
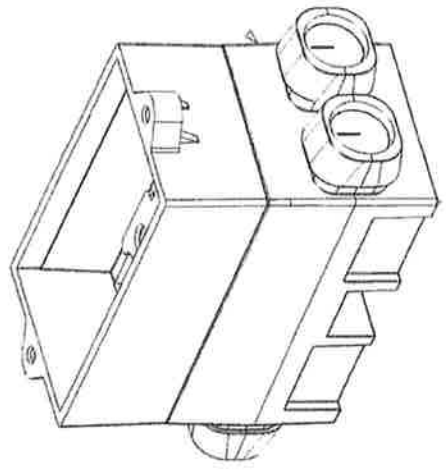
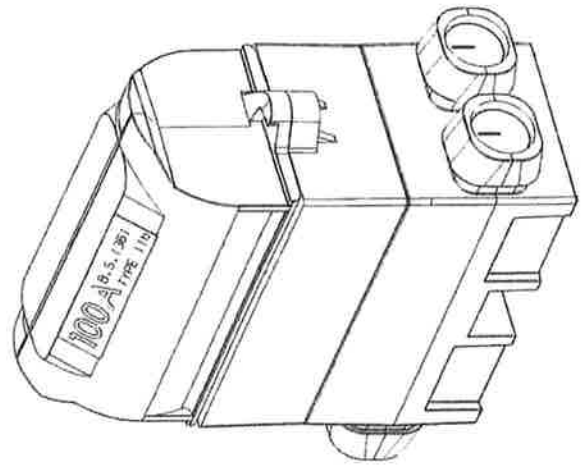


NO PART OF THIS DRAWING MAY BE REPRODUCED OR TRANSMITTED IN ANY FORM OR BY ANY MEANS, ELECTRONIC OR MECHANICAL, INCLUDING PHOTOCOPYING, RECORDING, OR ANY INFORMATION STORAGE OR RETRIEVAL SYSTEM WITHOUT THE WRITTEN PERMISSION OF ALCANTARA, INC.



OVERALL DIMENSIONS:
 LENGTH: 97.5mm
 WIDTH: 43.5mm
 DEPTH: 86.0mm



VENDOR: SWH APPROV: SWH DATE: 03/01/12		REVISION: 1 DATE: 03/01/12 FOR ADDITIONAL INFO, SEE DWG THM0002101	
DRAWN: G.H. APPROV: S.W.H.		ALL DIMENSIONS ARE IN MILLIMETERS UNLESS OTHERWISE SPECIFIED.	
DATE: 01/11/08 CDR: [Signature]		DRAWING TITLE: 100 AMP SP HSCO	
DO NOT SCALE IF IN EXACT ASH US MAKE		TOLERANCES: 0.25, 0.15, 0.1, 0.075, 0.05, 0.025, 0.015, 0.01	
FINISH: (100)		PART NUMBER: THM0002101	
SFE B.C.M.		155. 5	