

House Service Cut Out accessories

Cable protection covers

▶ Overview and presentation

Supplementary components designed to confer extra protection to the cables and help prevent unauthorized tampering and theft of supply. Retrofitable and compatible only with Lucy single pole and triple pole HSCOs. Dedicated cable covers are required for SPN and SPN+E versions as well as the TPN and TPN+E versions. The covers protect the cables from the top and sides only.



SPN Cable protection cover



TPN Cable protection cover

▶ Features

- Fully interlock with neutral chamber cover and fuse carrier. Cannot be removed until both the aforementioned have been withdrawn
- Supplied with fixing screws and flexible cable grommets

▶ Construction

- Cover moulded from polyester DMC in grey RAL 7035 colour
- Cable grommets moulded from synthetic nitrile rubber

▶ Weight

- Single pole cable protection cover: 0.12kgs (SPN) and 0.19kgs (SPN+E)
- Triple pole cable protection cover: 0.32kgs (TPN) and 0.4kgs (TPN+E)

Note: The equipment described on this data sheet must be installed by suitably qualified personnel according to applicable Local/ National Wiring regulations currently in force.

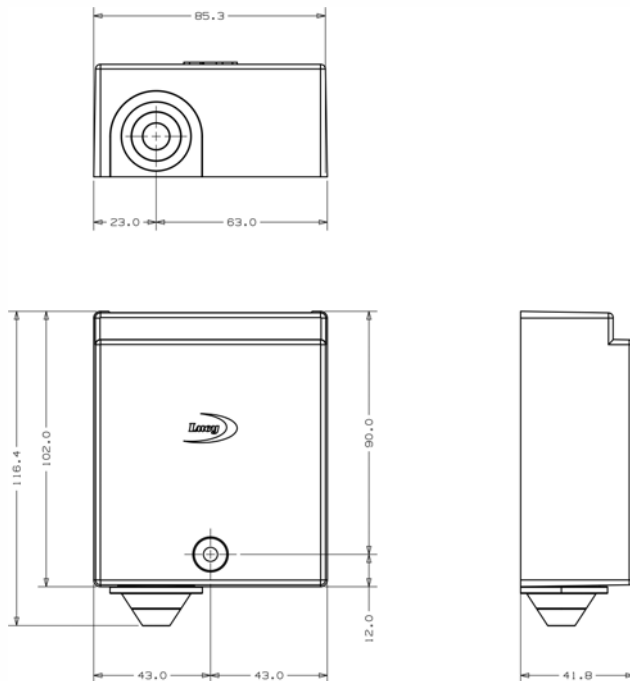
House Service Cut Out accessories

Cable Protection Covers

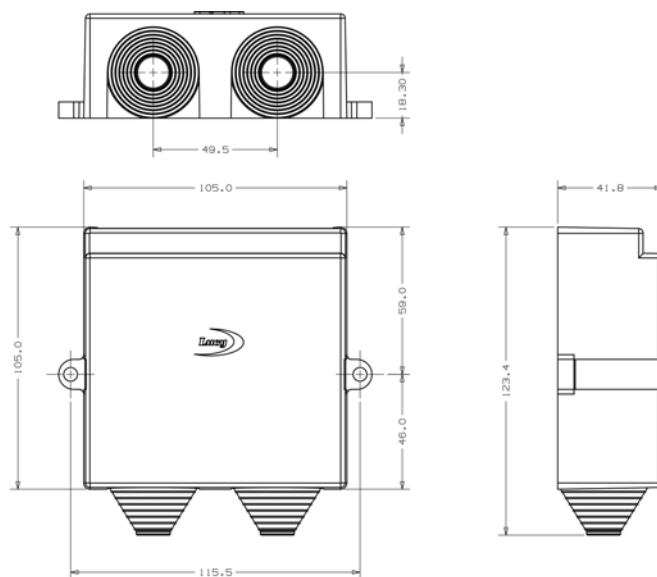


General arrangement and dimensions (mm)

- Single pole and neutral (SPN) cable protection cover (THM0016298)



- Single pole neutral and earth (SPN+E) cable protection cover (THM0016295)



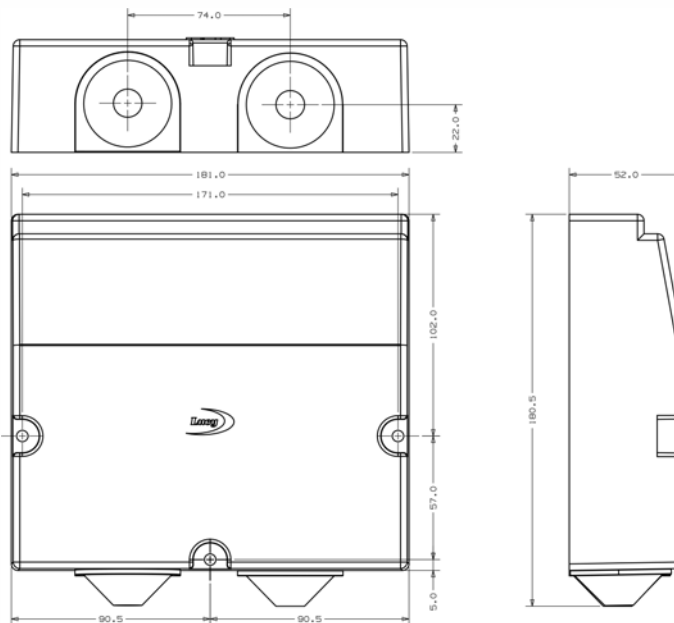
House Service Cut Out accessories

Cable Protection Covers

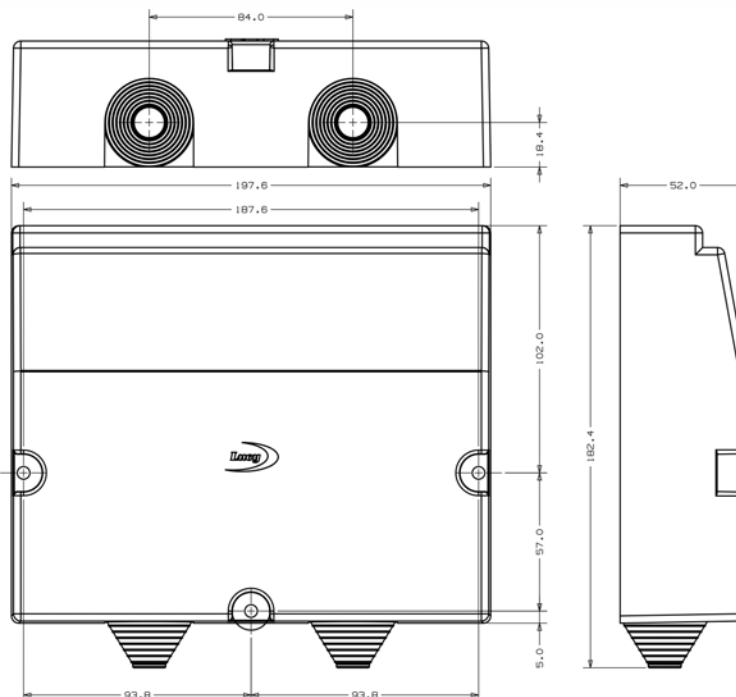


General arrangement and dimensions (mm)

- Triple pole and neutral (TPN) cable protection cover (THM0016992)



- Triple pole neutral and earth (TPN+E) cable protection cover (THM0016991)



Disclaimer

Lucy Switchgear has a policy of continuous research and development and accordingly reserves the right to change the design and specifications of its products without prior notice or liability.

Lucy Switchgear

Howland Road, Thame,
Oxfordshire, OX9 3UJ, UK
Tel: +44 (0) 1844 267267
Fax: +44 (0) 1844 267223
Email: sales@lucyswitchgear.com

Lucy Middle East

PO Box 17335, Jebel Ali,
Dubai, United Arab Emirates
Tel: +9714 883 2110
Fax: +9714 883 2113
Email: sales@lucyme.ae

The Saudi Lucy Company Ltd

PO Box 834, Al-Khobar,
31952, Saudi Arabia
Tel: +966 3 8823057
Fax: +966 3 8822553
Email: info@saudilucy.com

