



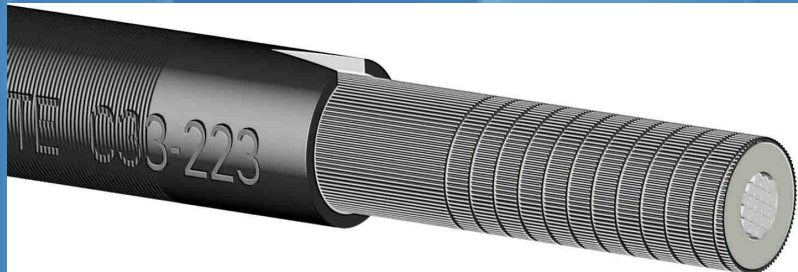
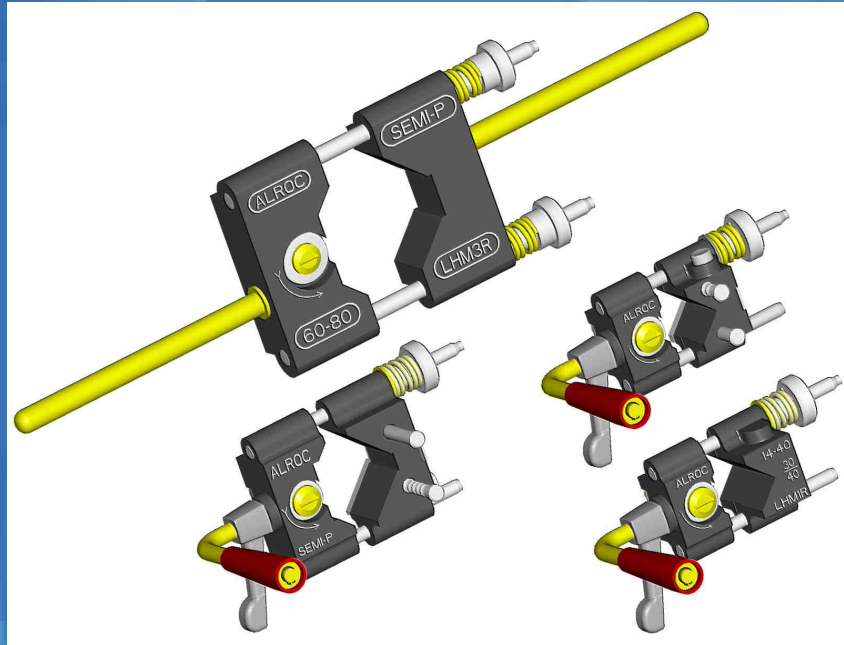
ALROC - MV - Peelable semi-conductor LHM

LHM1R
30/40

LHM1R
30/45E

LHM2R
30/60

LHM3R



ALROC

Z.I de la
fonderie
72160 Tuffé
France

Phone :
33.(0)2.43.71.11.80
Fax :
33.(0)2.43.71.16.51
Web : www.alroc.fr
E-mail :
commercial@alroc.fr

FUNCTIONS

The LHM tools realize an incision on peelable semi-conductor to remove it easily with the hand.

CHARACTERISTICS

- ☞ Incision on peelable semi-conductor
- ☞ The blade is previously adjusted

LHM
CHOICE

Semi-con. diameter	Length of semi-con. left	Ref :	Weight
14 à 40mm	30 - 40mm	LHM1R30/40	630 g
14 à 40mm	30 - 40 - 45mm	LHM1R30/45E	660 g
38 à 60mm	30 - 40 - 45 - 55 - 60mm	LHM2R30/60	900 g
60 à 80mm	30mm	LHM3R	1770 g